

## 1GE + PORT



## SY-GPON-1000R-DONT

### Overview :

SY-GPON-1000R-DONT EPON/GPON DONT is one of the GPON optical network unit designed to meet the requirement of the broadband access network. It applies in FTTH/FTTO to provide the data and video service based on the EPON/GPON network.

EPON/GPON is the latest generation of access network technology. ITU-T G.984 is the standard protocol of PON. The EPON/GPON standard differs from other PON standards in that it achieves higher bandwidth and higher efficiency using larger, variable-length packets. EPON/GPON offers efficient packaging of user traffic, with frame segmentation allowing higher quality of service (QOS) for delay-sensitive voice and video communications traffic. EPON/GPON networks provides the reliability and performance expected for business services and provides an attractive way to deliver residential services. EPON/GPON enables Fiber to The Home (FTTH) deployments economically resulting to accelerated growth worldwide.

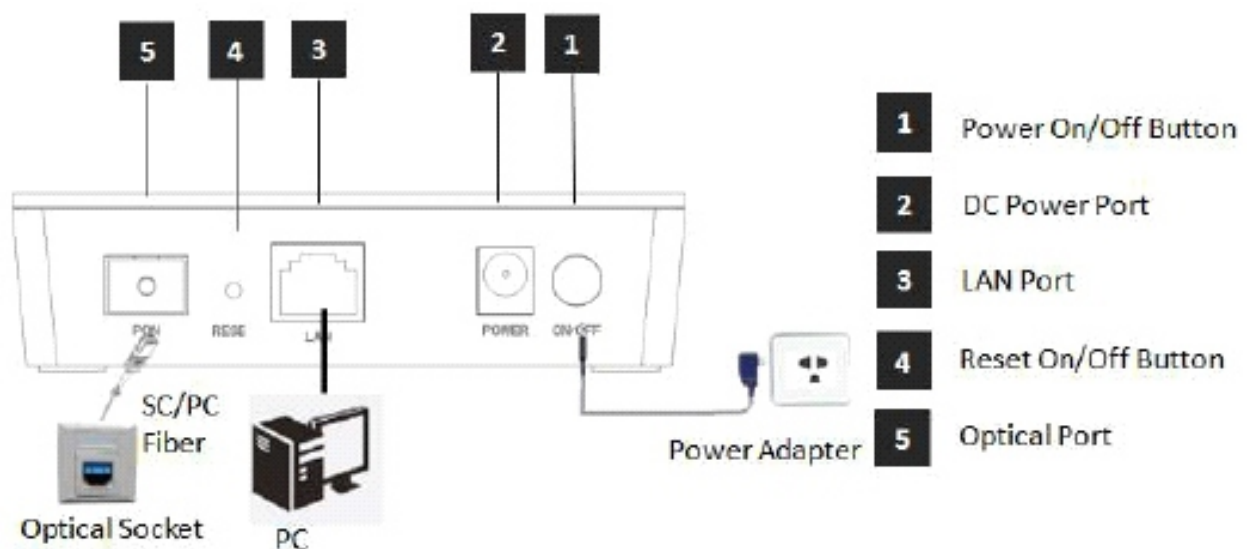
SY-GPON-1000R-DONT is based on ZTE/Realtek Chipset high-performance xPON access chip. The chip supposes three modes EPON/GPON/P2P, comply with the GPON standard of g.984, g.983, 802.3-2005, CTC EPON equipment technical requirements, have good xPON interoperability compatibility.

SY-GPON-1000R-DONT provides one GE auto-adapting Ethernet ports. The SY-GPON-1000R-DONT features high-performance forwarding capabilities to ensure excellent experience with Internet and HD video services. Therefore, the SY-GPON-1000R-DONT provides a perfect terminal solution and future-oriented service supporting capabilities for FTTH deployment. It has got third-party interoperability to work with the third party OLT's, such as Huawei/ZTE/Fiber-home/Alcatel-Lucent

## > Features:

- Fully compatible with ITU-T G.984.1/2/3/4
- Support downlink rate 2.448Gbit/s, uplink rate is 1.244Gbit/s
- Support 32 TCONT, 256 GEMPORT
- Support bidirectional FEC, supports the RS (255, 239) FEC decoding
- Support AES128 encryption and decryption functions with G.984 standard
- Support SBA and DBA bandwidth allocation
- Support PLOAM, embedded OMCI management with G.984 standard
- Support Dying-Gas detection and reporting
- Support rogue ONT detection
- Support EPON/GPON energy saving of G987.3 protocol
- Support Tag/Untag Ethernet frame of 802.1 and Q 802.3 standard, support QinQ
- Support CTC2.1, TR156 requirements of flexible tag processing
- Support for flexible flow classification, maximum 520 flow classification
- Support link error monitoring and loop monitoring
- Support a variety of multicast forwarding mode, support multicast replication
- Auto-negotiation and manual settings of Ethernet supporting rate, duplex mode
- FUNI interface supports STP/RSTP protocol
- Provide QoS guarantees for different priority business through SLA restraining, Policing, queue management scheduling / congestion avoidance, discarding management mode
- Support flow control based on entrance, choose Pause frame reaction pressure to Packet Loss for the business beyond Support HQoS function

## > Product Interface and LED definitions:



## > LED Indicators:

Indicator			Description
1			LANLAN port statusOn: Ethernet connection is normal
			Blinking: Data is being transmitted through the Ethernet port
			Off: Ethernet connection is not set up;
2	LOS	GPON optical signals	On: Optical power lower than receiver sensitivity
3	PONONT	Register	Off: Optical in normal
			On: Success to register to OLT
			Blinking: In process of registering to OLT
			Off: In process of registering to OLT
4	PWR	Power status	On: The ONT is power on
			Off: The ONT is Power off

## > Specification:

Item	Parameters	Specification
Interface	PON Port	1*GPON port, FSAN G.984.2 standard, Class B+
		Downstream Data Rate-2.488Gbps
		Upstream Data Rate-1.244Gbps
		SC/PC single mode fiber
		28dB Link loss and 30KM distance with 1:128
	Ethernet Port(LAN)	1*GE Auto-negotiation RJ45 ports
		Full Duplex / Half-Duplex
		RJ45, Auto-MDI/MDI-X
		Transmission Distance 100 Meter
Power Supply Port		12V DC input
Management	Network Management	Standard compliant OMCI interface
		as defined by ITU-T
		G.984.4
	Management Function	Support WEB management
		Status monitor, Configuration management, Alarm management, Log management
Environmental Specifications	Shell	Plastic casing
	Power	External 12V 0.5A AC/DC
		power supply adapter
		Power consumption: <3W
	Dimensions	110mm(L) x70mm(W) x30mm (H)
		0.1kg
	Environment	Operating Temperature 0-50°C
Storage Temperature -40°C-85°C		

### > Specification :

Operating Humidity	10%-90% (Non-condensing)	
	Storage Humidity	5%~95%(Non-condensing)

### > Application :

- Typical Solution FTTH
- Typical Home/Business Internet, WIFI

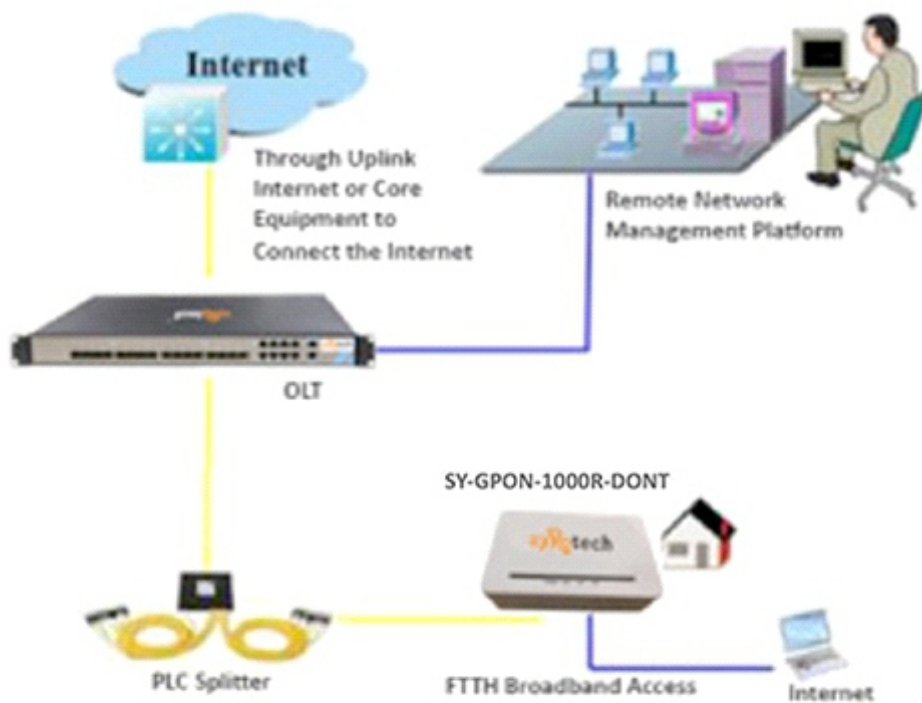


Figure: SY-GPON-1000R-DONT Application Diagram

### > Ordering Information:

Part Number	Descriptions
SY-GPON-1000R-DONT	1 GE port, SC/PC PON port, white plastic casing with Routing ZTE/Realtek Chipset external power supply adapter