

# CP-UNC-VC41ZL5C-VMD-Q

4MP Network IR Vandal Dome Camera - 50Mtr.



- 1/2.7" 4MP PS CMOS Image Sensor (0.9407 Centimeters)
- Max. 4MP (2688 x 1520)@ 1-25/30FPS
- Instastream, H.265, H.264, H.264H, H.264B, MJPEG
- Support Quad Stream
- WDR(120dB), Day/Night(ICR), 2D NR, 3D NR, ROI, BLC, HLC, AWB, AGC
- 2.7mm–13.5mm Motorized Lens
- IR Range of 50 Mtr.
- Support Starlight Technology
- Support Built-in Mic
- Micro SD Card, IP67, IK10, PoE



## System Overview

This camera is ideal for places which suffer from altering lighting conditions as the starlight solution along with the full-colour technology in this camera illuminates the scene perfectly to present to you a clear and vivid image. This series is supported by intelligent functions that use AI-based deep learning algorithms which enable effective perimeter protection and smart motion detection for easier surveillance.

## CTC Technology:

CP PLUS Trusted Core Technology is a multi-layered security architecture that brings together the best of cyber security practices and technological intelligence. It is not just an enhancement; it is a complete redefinition of how surveillance should function in today's digital landscape - more intelligent, more secure, and more reliable than ever before.



## CP-UNC-VC41ZL5C-VMD-Q

### 4MP Network IR Vandal Dome Camera - 50Mtr.

#### Functions

##### Wide Dynamic Range (WDR)

When a scene is partly dark and partly bright, that is the dynamic range that distorts images due to this difference in the lighting. WDR technology provides you balanced lighting for a clear and vivid image throughout the day. WDR technology can be installed at entry/exit points of any building structure, jewellery shops, outdoor location among so many other places.

##### Starlight Technology

This camera is widely used to provide sharper and clearer picture quality with the help of its exceptional starlight sensitivity as the camera improves night vision in low light conditions. This technology is useful in conditions with extremely low light as the starlight technology turns almost completely dark images into those of clear colors.

##### True Day/Night (ICR)

When the scene is too dark, the image is captured by illuminating an infrared light through the camera onto the scene that greatly helps with making the scene visible for the lens. It delivers color images during the day and automatically switches to the monochrome feature as the scene darkens.

##### Power over Ethernet

CP PLUS cameras with Power over Ethernet (PoE) technology offer a simple and efficient installation by using a single Ethernet cable to deliver both power and data. This eliminates the need for separate power adapters, reduces cable clutter, and ensures a cleaner setup.

#### About CP PLUS

The brand that is on its way to lead the world when it comes to the security and surveillance industry, CP PLUS, keeps bombarding the market with the most reliable range of products that have been designed carefully and methodically to automate the whole surveillance and security process, no matter how big your premises are.

It was the initiative to help the public in the area where they are the most vulnerable and to empower the sense of safety in our hearts that had conceptualized CP PLUS. And embarking on its mission to make the world a safer and more secure place has taken the brand's journey to unprecedented levels even when compared to international competitors.



# CP-UNC-VC41ZL5C-VMD-Q

## 4MP Network IR Vandal Dome Camera - 50Mtr.

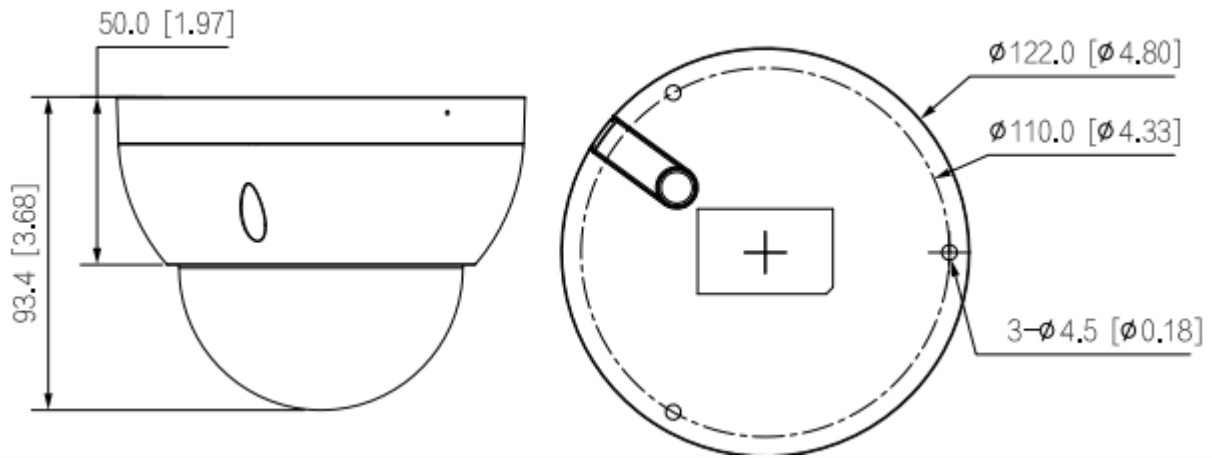
Feature	Specification
Image Sensor	1/2.7" 4MP PS CMOS Image Sensor (0.9407 Centimeters)
Effective Pixels	2960 (H) × 1668 (V)
Minimum Illumination	0.001 lux@F1.4 (Color, 30 IRE), 0.0001 lux@F1.4 (B/W, 30 IRE), 0 lux (IR on)
Angle Adjustment	Pan: 0°–355°, Tilt: 0°–75°, Rotation: 0°–355°
Shutter Speed	Auto/Manual 1/3 s–1/100,000 s
ROM	128 MB
RAM	256 MB
White Balance	Auto, Natural, Street lamp, Outdoor, Manual, Regional custom
Lens	2.7 mm–13.5 mm
Max. Aperture	F1.4
Close Focus Distance	0.8 m
Lens Mount	φ14
DORI Distance	Lens W: 64.0 m (Detect), 25.6 m (Observe), 12.8 m (Recognize), 6.4 m (Identify) Lens T: 210.0 m (Detect), 84.0 m (Observe), 42.0 m (Recognize), 21.0 m (Identify)
Lens Type	Motorized Vari-focal
Gain Control(AGC)	Auto, Manual
IR Control	Auto, Manual
IR Number	2 IR LED
IR	IR Range of 50 Mtr.
Audio	Built-in Mic
Back Light Compensation	BLC/ HLC/ WDR(120dB)
Angle of View	H: 113°–31°, V: 58°–18°, D: 138°–36°
S/N Ratio	>58 dB
Day/Night	Auto(ICR)/Color/B/W
OTA (Over-The-Air )	Support

Feature	Specification
Resolution	4MP (2688 × 1520), 3MP (2304 × 1296), 2MP (1920 × 1080), 1.3MP (1280 × 960), 720p (1280 × 720), D1 (704 × 576), VGA (640 × 480), (352 × 288)
Stream Capability	Quad Stream
Frame Rate	<p>Main stream: 4MP(2688 x 1520)@ 1-25/30FPS            3MP(2048 x 1536)@ 1-25/30FPS, (2304 x 1296)@ 1-25/30FPS, 2MP(1920 x 1080)@ 1-25/30FPS, 1.3MP(1280 x 960)@ 1-25/30FPS, 720p(1280 x 720)@1-25/30FPS            Sub Stream1:- D1(704 x 576)@ 1-25/30FPS, VGA(640 x 480)@ 1-25/30FPS, CIF (352 x 288)@ 1-25/30FPS            Sub stream 2:-D1 (704 x 576)@ 1-25/30FPS, VGA(640 x 480)@ 1-25/30FPS, (352 x 288)@ 1-25/30FPS            Sub stream 3:- D1(704 x 576)@ 1FPS, VGA(640 x 480)@ 1FPS, (352 x 288)@ 1FPS            *The sub streams max. frame rates depends on main stream frame rates</p>
Video Compression	Instastream, H.265, H.264, H.264H, H.264B, MJPEG (Only supported by the sub stream)
Smart search	Work together with AI NVR to perform refine AI search, event extraction and merging to event videos
Mirror Function	Support
Iris Control	Fixed
Noise Reduction	2D NR, 3D NR
Motion detection	OFF/ON (4 areas, rectangular)
IVS(Perimeter Protection)	Intrusion, Tripwire (the two functions support the classification and accurate detection of vehicle and human)
Video format	PAL/NTSC
Privacy Mask	4 areas
ROI	Support (4 areas)
OSD	Camera title, Date & Time, Channel Title, Time Title, Location, Font Properties, Custom Title
Bit Rate Control	CBR/VBR
Bit Rate	H.265: 3 kbps–8192 kbps, H.264: 3 kbps–8192 kbps
Protocol	SFTP, IPv6, IPv4, DNS, RTCP, NTP, RTP, HTTP, HTTPS, SNMP V3, TLS Version 1.2, TCP/IP, PPPoE, NFS, UDP, UPnP, ICMP, SSL, DHCP, SMTP, RTSPS, InstaOn, ONVIF (Profile S, Profile G, Profile T), unicast, multicast

Feature	Specification
Audio Compression	G.711a, G.711Mu, G.726, PCM, AAC
SDK and API	Support
Ethernet	RJ-45 (10/100 Base-T)
Alarm Event	No SD card, SD card full, SD card error, Network disconnection, IP conflict, illegal access, Motion detection, Video tampering, Tripwire, Intrusion, Audio detection, Voltage detection, Defocus detection, External alarm, IMD (Intelligent motion detection), Security exception
Cyber Security	AES 256-bit Encryption, Configuration encryption, trusted execution, Digest, security logs, WSSE, account lockout, syslog, video encryption, IP/MAC filtering, HTTPS, trusted upgrade, trusted boot
Audio Input	1 Channel (RCA port)
Audio Output	1 Channel (RCA port)
Alarm IN	1 Channel in: 5 mA 3–5 VDC
Alarm Out	1 Channel out: 300 mA 12 VDC
Image Rotation	0°/90°/180°/270° (Support 90°/270° with 2688 × 1520 resolution and lower)
User/Host	6 (Total bandwidth: 48 M)
Browser	IE, Chrome, Firefox
Weatherproof Standard	IP67, IK10
Storage	SFTP, NAS, Mirco SD card (Max. 512GB)
Certificates	ISO 9001: 2015, ISO 20000-1 : 2018, CE, FCC and RoHS, BIS, STQC approved compliance report
Power Source	12 VDC/PoE (802.3af)
Power Consumption	Basic: 2.4 W (12 VDC), 3 W (PoE) Max. (H.265+ max. resolution + max. stream+ WDR + IR intensity + IVS): 6.2 W (12 VDC), 7.4 W (PoE)
Operating Temperature	–30°C to +60°C
Operating Humidity	≤95%
Storage Temperature	–40°C to +60°C (–40°F to +140°F)
Casing	Metal
Dimension	93.4 mm × Φ122 mm
Weight	510g

**Published Date –20-01-2026**

Dimensions (mm/inch)



**Company Name:**

CP PLUS (Aditya Infotech Ltd.)  
F-28 Okhla Industrial Area, Phase 1,  
New Delhi 110020, INDIA

**Contact Mail ID :-** [customercare@cpplusworld.com](mailto:customercare@cpplusworld.com)