

CP-UNC-VC21L5C-VMD-LQ

2MP Dual Light Vandal Dome Camera - 50Mtr.



- 1/2.7" 2MP PS CMOS Image Sensor (0.9407 Centimeters)
- Max. 2MP (1920 × 1080)@1-25/30 fps
- Instastream, H.265, H.264, H.264H, H.264B, MJPEG
- Support Quad Stream
- WDR(120dB), Day/Night(ICR), 3D NR, AWB, AGC, BLC, HLC, Digital watermarking
- IR Range of 50 Mtr., Warm Light Range of 30 Mtr.
- 3.6mm fixed Lens
- Support Starlight Technology
- Built-in Mic, Micro SD Card, PoE, IP67, IK10



System Overview

The CP PLUS Advanced Dual Light Cameras provide the perfect solution for elevating your security system. Designed for superior adaptability, these cameras support multiple illumination modes and advanced monitoring features, ensuring unmatched performance in various environments.

CTC Technology:

CP PLUS Trusted Core Technology is a multi-layered security architecture that brings together the best of cyber security practices and technological intelligence. It is not just an enhancement; it is a complete redefinition of how surveillance should function in today's digital landscape - more intelligent, more secure, and more reliable than ever before.



CP-UNC-VC21L5C-VMD-LQ

2MP Dual Light Vandal Dome Camera - 50Mtr.

Functions

Instastream

This camera has been designed with the latest and most efficient innovation among the standard video compression designs. Smart encoding algorithms developed by CP PLUS help in saving up to 70% more bandwidth than H.265 along with making it more beneficial for minimizing bandwidth and storage costs. It enhances video coding efficiency while providing high resolution and the rate of frame in the video using Intelligent Region Perception to detect motion in each frame.

Regions of interest

Regions of Interest (ROI) is a user defined feature that allows the operator to monitor specific areas of a scene while still maintaining overall situational awareness of less important areas.

True Day/Night

When the scene is too dark, the image is captured by illuminating an infrared light through the camera onto the scene that greatly helps with making the scene visible for the lens. It delivers color images during the day and automatically switches to the monochrome feature as the scene darkens.

Power over Ethernet (PoE)

CP PLUS cameras with Power over Ethernet (PoE) technology offer a simple and efficient installation by using a single Ethernet cable to deliver both power and data. This eliminates the need for separate power adapters, reduces cable clutter, and ensures a cleaner setup.

About CP PLUS

The brand that is on its way to lead the world when it comes to the security and surveillance industry, CP PLUS, keeps bombarding the market with the most reliable range of products that have been designed carefully and methodically to automate the whole surveillance and security process, no matter how big your premises are.

It was the initiative to help the public in the area where they are the most vulnerable and to empower the sense of safety in our hearts that had conceptualized CP PLUS. And embarking on its mission to make the world a safer and more secure place has taken the brand's journey to unprecedented levels even when compared to international competitors.



CP-UNC-VC21L5C-VMD-LQ

2MP Dual Light Vandal Dome Camera - 50Mtr.

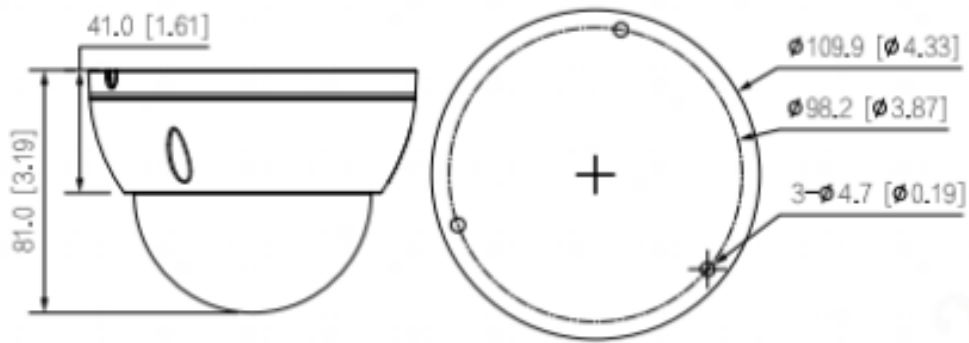
Feature	Specification
Image Sensor	1/2.7" 2MP PS CMOS Image Sensor (0.9407 Centimeters)
Effective Pixels	1920 (H) × 1080 (V)
Minimum Illumination	0.001 lux@F1.4 (Color, 30 IRE), 0.0001 lux@F1.4 (B/W, 30 IRE), 0 lux (IR on)
Shutter Speed	Auto/Manual 1/3 s–1/100,000 s
Angle Adjustment	Pan: 0°–355°, Tilt: 0°–65°, Rotation: 0°–355°
White Balance	Auto, Natural, Street lamp, Outdoor, Manual, Regional custom
RAM	128 MB
ROM	128 MB
DORI Distance	58.9 m (Detect), 23.6 m (Observe), 11.8 m (Recognize), 5.9 m (Identify)
Gain Control(AGC)	Auto/ Manual
Lens Type	Fixed-focal
Max. Aperture	F1.4
Lens Mount	M12
Close Focus Distance	1.1 m
Lens	3.6mm fixed Lens
Angle of View	H: 87°, V: 44°, D: 105°
Iris Control	Fixed
S/N Ratio	>58 dB
IR Number	3 IR LED, 4 Warm Light
IR	IR Range of 50 Mtr.
Warm Light	Warm Light Range of 30 Mtr.
Smart Illumination	Support
Video Compression	Instream, H.265, H.264, H.264H, H.264B, MJPEG (Only supported by sub stream)
Back Light Compensation	BLC/ HLC/ WDR(120dB)
Day/Night	Auto(ICR)/Color/B/W
IR Control	Auto, Manual

Feature	Specification
Resolution	2MP (1920 × 1080), 1.3MP (1280 × 960), 720p (1280 × 720), D1 (704 × 576/704 × 480), VGA (640 × 480), CIF (352 × 288/352 × 240)
Noise Reduction	3D NR
Motion detection	OFF/ON (4 areas, rectangular)
Privacy Mask	4 areas
Video format	PAL/NTSC
IVS(Perimeter Protection)	Tripwire, Intrusion, IMD (Intelligent motion detection)
Stream Capability	Quad Stream
Frame Rate	Main stream: 2MP (1920 × 1080)@1–25/30fps Sub stream 1: 720P@1–25/30fps Sub stream 2: D1@1–25/30fps Sub stream 3: D1@1fps
OSD	Camera title, Date & Time
Audio Input	1 Channel (RCA port)
Audio Output	1 Channel (RCA port)
Audio Compression	G.711a, G.711Mu, G.726, PCM, AAC
Image Rotation	0°/90°/180°/270° (Support 90° with 2M resolution and lower)
Bit Rate	H.265: 3 kbps-6144 kbps, H.264: 8 kbps-6144 kbps
Bit Rate Control	CBR/VBR
Protocol	SFTP, IPv6, IPv4, DNS, RTCP, NTP, RTP, HTTP, HTTPS, SNMP V3, TLS Version 1.2, TCP/IP, PPPoE, NFS, UDP, ICMP, IGMP, SSL, DHCP, RTMP, SMTP, RTSPS, ONVIF (Profile S, Profile G, Profile T), unicast, multicast
Ethernet	RJ-45 (10/100 Base-T)
SDK and API	Support
Alarm Event	No SD card, SD card full, SD card error, Network disconnection, IP conflict, illegal access, Motion detection, Video tampering, Tripwire, Intrusion, Audio detection, Voltage detection, External alarm, IMD (Intelligent motion detection), Security exception
User/Host	6 (Total bandwidth: 36 M)
Mirror Function	Support
Audio	Built-in Mic
Smart IR	Support
Alarm IN	1 Channel in: 5 mA 3–5 VDC
Alarm Out	1 Channel out: 300 mA 12 VDC

Feature	Specification
Cyber Security	AES 256-bit Encryption, Configuration encryption, trusted execution, Digest, security logs, WSSE, account lockout, syslog, video encryption, IP/MAC filtering, HTTPS, trusted upgrade, trusted boot
Hardware Reset Point	Support
Certificates	ISO 9001: 2015, ISO 20000-1 : 2018, CE, FCC and RoHS, BIS, STQC approved compliance report
Power Source	12 VDC/PoE (802.3af)
Dual Power Backup	When the power adapter and PoE provide power at the same time, disconnect one of them. The device will continue to work, but will not restart
Power Consumption	Basic: 2.1 W (12 VDC), 2.6 W (PoE); Max.: 6.2 W (12 VDC), 7.5 W (PoE) (H.265 + intelligence on+ WDR + illuminator intensity)
Browser	IE: IE11, Chrome, Firefox
Storage	SFTP, Mirco SD card (Max. 512GB)
Weatherproof Standard	IP67 & IK10
Operating Temperature	-40 °C to +60 °C (-40 °F to +140 °F)
Operating Humidity	≤95% (RH), non-condensing
Storage Temperature	-40 °C to +60 °C (-40 °F to +140 °F)
Storage Humidity	≤95% (RH), non-condensing
Casing	Metal
Dimension	81.0 mm × 109.9 mm
Weight	350g

Published Date –18-03-2026

Dimensions (mm/inch)



Company Name:

CP PLUS (Aditya Infotech Ltd.)

F-28 Okhla Industrial Area, Phase 1,

New Delhi 110020, INDIA

Contact Mail ID :- customercare@cpplusworld.com