

## PT-NC323P1-N(D2) 2 MP Fixed Turret Network Camera



### Highlights

- **High-Quality Imaging:** 2MP resolution ensures superior image quality
- **Target Classification:** Focus on human and vehicle classification based on advanced intelligent algorithms
- **IR Technology:** Support Advance IR technology
- **Efficient Compression:** Efficient H.265 compression technology saves bandwidth and storage
- **Durable Design:** Water and dust resistant (IP67)

## Specification

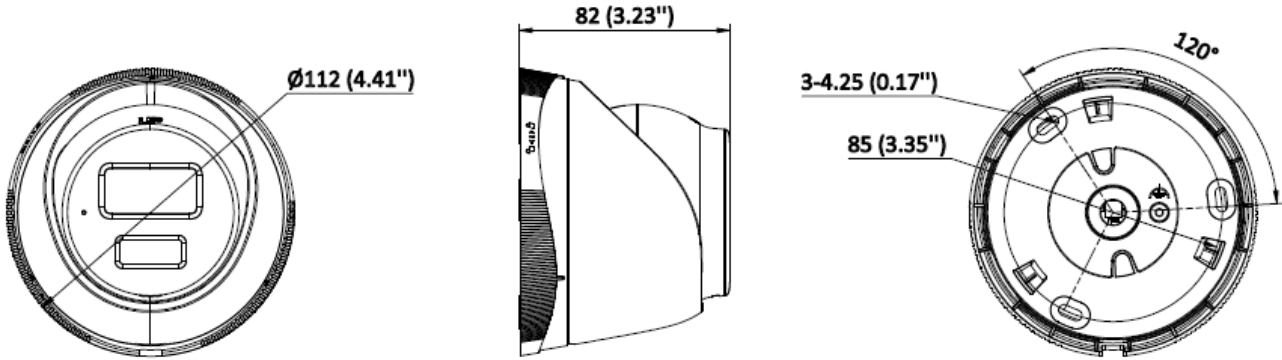
Camera	
Image Sensor	1/2.9 inch Progressive Scan CMOS
Max. Resolution	1920 × 1080
Shutter Time	1/3 s to 1/100,000 s
Min. Illumination	Color: 0.005 Lux @ (F1.6, AGC ON), B/W: 0 Lux with IR
Day & Night	IR cut filter
Angle Adjustment	Pan: 0° to 360°, tilt: 0° to 75°, rotate: 0° to 360°
Lens	
Lens Type	Fixed focal lens, 2.8 and 4 mm optional
Focal Length & FOV	2.8 mm, horizontal FOV 103°, vertical FOV 56°, diagonal FOV 121° 4 mm, horizontal FOV 83°, vertical FOV 44°, diagonal FOV 99°
Lens Mount	M12
Iris Type	Fixed
Aperture	F1.6
DORI	
DORI	2.8 mm, D: 45 m, O: 18 m, R: 9 m, I: 4 m 4 mm, D: 56 m, O: 22 m, R: 11 m, I: 5 m
Illuminator	
Supplement Light Type	IR
Supplement Light Range	Up to 30 m
Smart Supplement Light	Yes
IR Wavelength	850 nm
Video	
Main Stream	50 Hz: 25 fps (1920 × 1080, 1280 × 720) 60 Hz: 30 fps (1920 × 1080, 1280 × 720)
Sub-Stream	50 Hz: 25 fps (640 × 480, 640 × 360) 60 Hz: 30 fps (640 × 480, 640 × 360)
Third-Stream	50 Hz: 1 fps (640 × 360) 60 Hz: 1 fps (640 × 360)
Video Compression	Main stream: H.265/H.264, Sub-stream: H.265/H.264/MJPEG
Video Bit Rate	32 Kbps to 8 Mbps
H.264 Type	Baseline Profile, Main Profile, High Profile
H.265 Type	Main Profile
Bit Rate Control	CBR, VBR
Region of Interest (ROI)	1 fixed region for main stream
Network	
Security	Password protection, complicated password, watermark, digest authentication for HTTP, WSSE and digest authentication for ONVIF, TLS 1.3
Simultaneous Live View	Up to 6 channels

API	ONVIF (Profile S, Profile T)
Protocols	TCP/IP, UDP, Multicast, NTP, DDNS, SNMP, QoS, DHCP, IPv4, IPv6, DNS, HTTP, HTTPS, RTSP, SRTP/RTSPS, Bonjour, NAT, RTCP, UPnP, ONVIF, SSH, SMTP
User/Host	Up to 32 users 3 user levels: administrator, operator, and user
Web Browser	Plug-in required live view: IE 10, IE 11, Local service: Chrome 57.0+, Firefox 52.0+
<b>Image</b>	
Wide Dynamic Range (WDR)	Digital WDR
SNR	≥ 52 dB
Day/Night Switch	Day, Night, Auto, Schedule
Image Enhancement	BLC, HLC, 3D DNR
Image Settings	Rotate mode, saturation, brightness, contrast, sharpness, gain, white balance, adjustable by client software or web browser
Privacy Mask	4 programmable polygon privacy masks
<b>Interface</b>	
Ethernet Interface	1 RJ45 10 M/100 M self-adaptive Ethernet port
<b>Event</b>	
Basic Event	Motion detection (support alarm triggering by specified target types (human and vehicle)), video tampering alarm, exception
Linkage	Upload to FTP/SFTP, Send email, notify surveillance center, trigger capture
<b>General</b>	
Power	12 VDC ± 25%, 0.5 A, max. 6 W, Ø5.5 mm coaxial power plug, reverse polarity protection, PoE: IEEE 802.3af, Class 3, max. 7.2 W
Material	Metal & Plastic
Dimension	Ø112 mm × 82 mm (Ø4.41 inch × 3.23 inch)
Package Dimension	150 mm × 150 mm × 141 mm (5.9 inch × 5.9 inch × 5.6 inch)
Weight	Approx. 340 g
With Package Weight	Approx. 560 g
Storage Conditions	-30 °C to 60 °C (-22 °F to 140 °F). Humidity 95% or less (non-condensing)
Startup and Operating Conditions	-30 °C to 60 °C (-22 °F to 140 °F). Humidity 95% or less (non-condensing)
General Function	Heartbeat, anti-banding, mirror, password protection, password reset via email
Protection	IP67

\*Specifications are subject to change without prior notice. \*Product picture may differ as per actual.

**Available Model**  
PT-NC323P1-N(D2)

## Dimension



Unit:mm (inch)