

PT-NC323P1-WNM(D2) 2 MP Fixed Turret Network Camera



Highlights

- **High-Quality Imaging:** 2MP resolution ensures superior image quality
- **Efficient Compression:** Efficient H.265 compression technology saves bandwidth and storage
- **Smart Dual Light:** Advanced technology with long range
- **Advanced DNR Technology:** 3D DNR technology delivers clean and sharp images
- **Superior Imaging in Backlight:** Clear imaging against strong back light due to 120 dB true WDR technology
- **Audio Security:** Built-in microphone for real-time audio security
- **Durable Design:** Water and dust resistant (IP67)

Specification

Camera	
Image Sensor	1/2.7 inch Progressive Scan CMOS
Max. Resolution	1920 × 1080
Min. Illumination	Color: 0.005 Lux @ (F1.6, AGC ON), B/W: 0 Lux with IR
Shutter Time	1/3 s to 1/100,000 s
Day & Night	IR cut filter
Angle Adjustment	Pan: 0° to 360°, tilt: 0° to 75°, rotate: 0° to 360°
Lens	
Lens Type	Fixed focal lens, 2.8 and 4 mm optional
Focal Length & FOV	2.8 mm, horizontal FOV 111°, vertical FOV 59°, diagonal FOV 133° 4 mm, horizontal FOV 91°, vertical FOV 46°, diagonal FOV 109°
Lens Mount	M12
Iris Type	Fixed
Aperture	F1.6
DORI	
DORI	2.8 mm, D: 43 m, O: 17 m, R: 9 m, I: 5 m 4 mm, D: 53 m, O: 21 m, R: 11 m, I: 6 m
Illuminator	
Supplement Light Type	IR, White Light
Supplement Light Range	Up to 30 m
Smart Supplement Light	Yes
IR Wavelength	850 nm
Video	
Main Stream	50 Hz: 25 fps (1920 × 1080, 1280 × 720) 60 Hz: 30 fps (1920 × 1080, 1280 × 720)
Sub-Stream	50 Hz: 25 fps (640 × 480, 640 × 360) 60 Hz: 30 fps (640 × 480, 640 × 360)
Third Stream	50 Hz: 1 fps (640 × 360) 60 Hz: 1 fps (640 × 360)
Video Compression	Main stream: H.265/H.264, Sub-stream: H.265/H.264/MJPEG Third stream: H.265/H.264
Video Bit Rate	32 Kbps to 8 Mbps
H.264 Type	Baseline Profile, Main Profile, High Profile
H.265 Type	Main Profile
Bit Rate Control	CBR, VBR
Region of Interest (ROI)	1 fixed region for main stream and sub-stream
Audio	
Audio Type	Mono sound
Environment Noise Filtering	Yes
Audio Sampling Rate	8 kHz/16 kHz
Audio Compression	G.711ulaw/G.711alaw/G.722.1/G.726/MP2L2/PCM/AAC-LC

Audio Bit Rate	64 Kbps (G.711ulaw)/64 Kbps (G.711alaw)/16 Kbps (G.722.1)/16 Kbps (G.726)/32 to 160 Kbps (MP2L2)/16 to 64 Kbps (AAC-LC)
Network	
Security	Password protection, complicated password, HTTPS encryption, watermark, digest authentication for HTTP/HTTPS, WSSE and digest authentication for ONVIF, RTSP over HTTPS, TLS 1.3
Simultaneous Live View	Up to 6 channels
API	ONVIF (Profile S, Profile T, Profile G)
Protocols	TCP/IP, UDP, Multicast, NTP, DDNS, SNMP, QoS, DHCP, IPv4, IPv6, DNS, HTTP, HTTPS, RTSP, SRTP/RTSPS, Bonjour, NAT, RTCP, UPnP, ONVIF, SSH, SMTP
User/Host	Up to 32 users 3 user levels: administrator, operator, and user
Web Browser	Plug-in required live view: IE 10, IE 11, Local service: Chrome 57.0+, Firefox 52.0+
Image	
Wide Dynamic Range (WDR)	120 dB
SNR	≥ 52 dB
Day/Night Switch	Day, Night, Auto, Schedule
Image Enhancement	BLC, HLC, 3D DNR
Image Settings	Rotate mode, saturation, brightness, contrast, sharpness, gain, white balance, adjustable by client software or web browser
Privacy Mask	4 programmable polygon privacy masks
Interface	
Ethernet Interface	1 RJ45 10 M/100 M self-adaptive Ethernet port
Built-in Microphone	Yes
Event	
Basic Event	Motion detection (support alarm triggering by specified target types (human and vehicle)), video tampering alarm, exception
Smart Event	Line crossing detection, intrusion detection
Linkage	Upload to FTP/SFTP, Send email, notify surveillance center, trigger capture
General	
Power	12 VDC ± 25%, 0.5 A, max. 6 W, Ø5.5 mm coaxial power plug, reverse polarity protection, PoE: IEEE 802.3af, Class 3, max. 7.2 W
Material	Cover: Plastic, main body: Metal
Dimension	Ø112 mm × 82 mm (Ø4.41 inch × 3.23 inch)
Package Dimension	150 mm × 150 mm × 141 mm (5.9 inch × 5.9 inch × 5.6 inch)
Weight	Approx. 360 g
With Package Weight	Approx. 586 g
Storage Conditions	-30 °C to 60 °C (-22 °F to 140 °F). Humidity 95% or less (non-condensing)
Startup and Operating Conditions	-30 °C to 60 °C (-22 °F to 140 °F). Humidity 95% or less (non-condensing)
General Function	Heartbeat, anti-banding, mirror, password reset via email, pixel counter, password protection

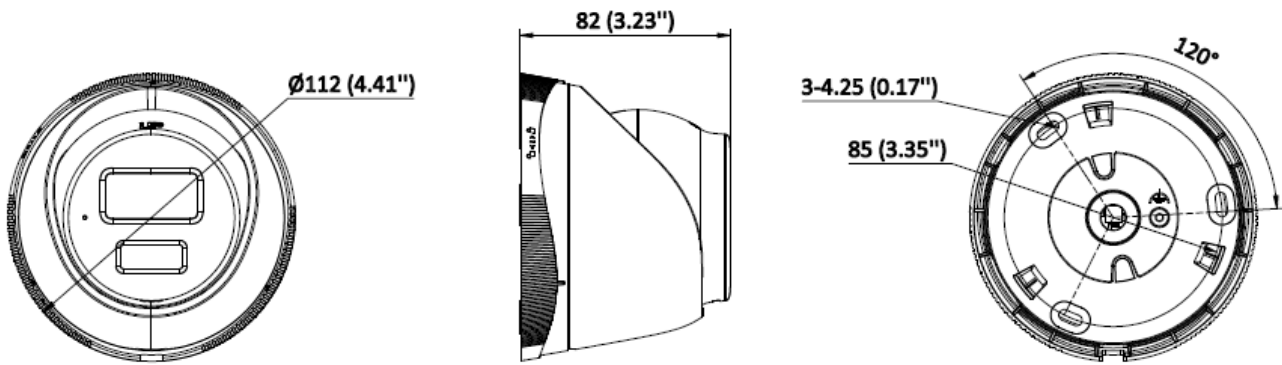
Protection	IP67
------------	------

*Specifications are subject to change without prior notice. *Product picture be differ as per actual.

Available Model

PT-NC323P1-WNM(D2)

Dimension



Unit:mm (inch)