

PT-NC327P3-WNRAM(D2)

Aisense 2 MP Smart Dual Light Motorized Varifocal Dome Network Camera

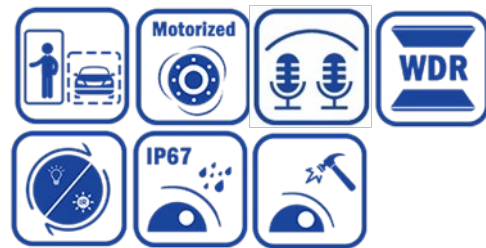
Overview

Aisense technology embedded by advanced AI algorithms, helps to distinguish people and vehicles from other moving objects. Aisense series products are perfect choices for an accessible and intelligent security system.

The system enables customers to focus resources on real threats by minimizing false alarms triggered by animals and other moving objects.



Aisense



Highlights

- **High-Quality Imaging:** 2MP resolution ensures superior image quality
- **Target Classification:** Focus on human and vehicle classification based on advanced intelligent algorithms
- **Smart Dual Light:** Advanced technology with long range
- **Efficient Compression:** Efficient H.265 compression technology saves bandwidth and storage
- **Superior Imaging in Backlight:** Clear imaging against strong back light due to 120 dB true WDR technology
- **Audio Security:** Built-in arrayed dual-microphone for real-time high-quality audio security
- **Motorized Focus Lens:** Simplifies both installation and monitoring
- **Durable Design:** Water and dust resistant (IP67) and vandal-resistant (IK10) for robust protection

Specification

Camera	
Image Sensor	1/2.7 inch Progressive Scan CMOS
Max. Resolution	1920 × 1080
Min. Illumination	Color: 0.005 Lux @ (F1.6, AGC ON), 0 Lux with light
Shutter Time	1/3 s to 1/100,000 s
Day & Night	IR cut filter
Angle Adjustment	Pan: 0° to 355°, tilt: 0° to 75°, rotate: 0° to 355°
Lens	
Lens Type	Motorized varifocal lens, 2.7 to 13.5 mm
Focal Length & FOV	2.7 to 13.5 mm, horizontal FOV 111.5° to 33.4°, vertical FOV 58.4° to 18.8°, diagonal FOV 134.3° to 38.3°
Lens Mount	Ø14
Iris Type	Auto-iris
Aperture	F1.6
DORI	
DORI	2.7 to 13.5 mm: D: 42.7 m to 132 m, O: 16.9 m to 52.4 m, R: 8.5 m to 26.4 m, I: 4.3 m to 13.2 m
Illuminator	
Supplement Light Range	Up to 40 m
Supplement Light Type	IR, White Light
Smart Supplement Light	Yes
IR Wavelength	850 nm
Video	
Main Stream	50 Hz: 25 fps (1920 × 1080, 1280 × 720) 60 Hz: 30 fps (1920 × 1080, 1280 × 720)
Sub-Stream	50 Hz: 25 fps (640 × 480, 640 × 360) 60 Hz: 30 fps (640 × 480, 640 × 360)
Third Stream	50 Hz: 10 fps (1920 × 1080, 1280 × 720, 640 × 480, 640 × 360) 60 Hz: 10 fps (1920 × 1080, 1280 × 720, 640 × 480, 640 × 360) *Third stream is supported under certain settings.
Fourth Stream	50 Hz: 10 fps (1280 × 720, 640 × 480, 640 × 360) 60 Hz: 10 fps (1280 × 720, 640 × 480, 640 × 360) *Fourth stream is supported under certain settings.
Video Compression	Main stream: H.265/H.264, Sub-stream: H.265/H.264/MJPEG Third stream: H.265/H.264, Fourth stream: H.265/H.264/MJPEG, *Third stream and fourth stream are supported under certain settings.
Video Bit Rate	32 Kbps to 8 Mbps
H.264 Type	Baseline Profile, Main Profile, High Profile
H.265 Type	Main Profile
Scalable Video Coding (SVC)	H.264 and H.265 encoding
Bit Rate Control	CBR, VBR

Region of Interest (ROI)	5 fixed regions for main stream and sub-stream
Target Cropping	Yes
Audio	
Audio Compression	G.711/G.722.1/G.726/MP2L2/PCM/MP3/AAC-LC
Audio Bit Rate	64 Kbps (G.711ulaw/G.711alaw)/16 Kbps (G.722.1)/16 Kbps (G.726)/32 to 192 Kbps (MP2L2)/8 to 320 Kbps (MP3)/16 to 64 Kbps (AAC-LC)
Audio Sampling Rate	8 kHz/16 kHz/32 kHz/48 kHz
Environment Noise Filtering	Yes
Network	
Protocols	TCP/IP, UDP, ICMP, IGMP, Multicast, NTP, DDNS, PPPoE, SNMP, QoS, DHCP, IPv4, IPv6, DNS, HTTP, HTTPS, RTSP, SRTP/RTSPS, Bonjour, Websockets, NAT, RTCP, RTMP, UPnP, ONVIF, SSH, SMTP, SISTP, ARP
Simultaneous Live View	Up to 6 channels
API	ONVIF (Profile S, Profile G, Profile T)
User/Host	Up to 32 users 3 user levels: administrator, operator, and user
Security	Password protection, complicated password, HTTPS encryption, IP address filter, digest authentication for HTTP/HTTPS, TLS 1.3, WSSE and digest authentication for ONVIF
Network Storage	NAS (NFS, SMB/CIFS), Auto Network Replenishment (ANR), Together with high-end memory card, memory card encryption and health detection are supported.
Web Browser	Plug-in required live view: IE 11, Plug-in free live view: Chrome 80+, Firefox 80+, Edge 89+, Safari 13+, Local service: Chrome 80+, Firefox 80+, Edge 89+, Safari 13+
Image	
Image Parameters Switch	Yes
Day/Night Switch	Day, Night, Auto, Schedule
Wide Dynamic Range (WDR)	120 dB
SNR	≥ 52 dB
Image Enhancement	BLC, HLC, 3D DNR
Privacy Mask	8 programmable polygon privacy masks
Interface	
Ethernet Interface	1 RJ45 10 M/100 M self-adaptive Ethernet port
On-Board Storage	Built-in memory card slot, support micro SD/micro SDHC/micro SDXC card, up to 512 GB
Alarm	1 input, 1 output (max. 24 VDC/24 VAC, 1 A)
Reset Key	Yes
Audio	Built-in Microphone: Arrayed dual-microphone, 1 input (line in), two-core terminal block, max. input amplitude: 3.3 Vpp, input impedance: 4.7 K Ω , interface type: non-equilibrium, 1 output (line out), two-core terminal block, max. output amplitude: 3.3 Vpp, output impedance: 100 Ω , interface type: non-equilibrium

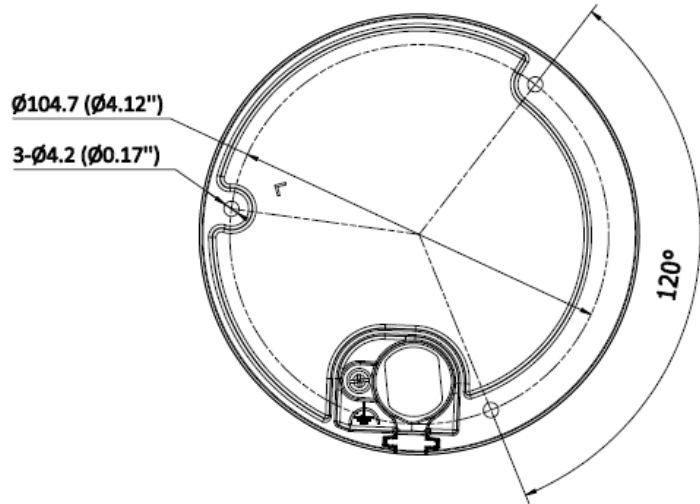
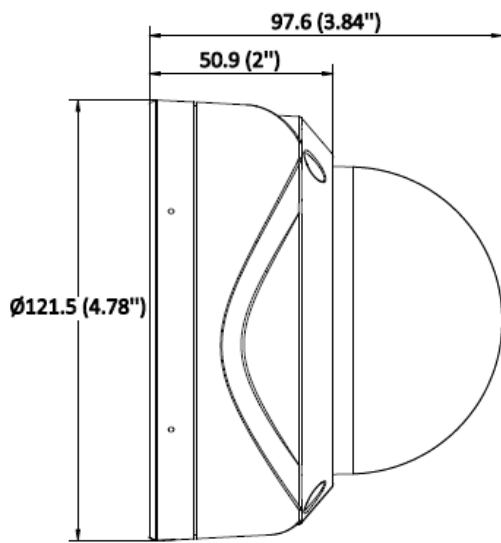
Event	
Basic Event	Motion detection (support alarm triggering by specified target types (human and vehicle)), video tampering alarm, exception
Smart Event	Unattended baggage detection, object removal detection, loitering detection, people gathering detection, fast moving detection, parking detection, video quality diagnosis, scene change detection, audio exception detection
Linkage	Upload to FTP/SFTP/NAS/memory card, notify surveillance center, send email, trigger alarm output, trigger recording, trigger capture
Intelligent Function	
Face Capture	Yes
Perimeter Protection	Line crossing, intrusion, region entrance, region exiting Support alarm triggering by specified target types (human and vehicle)
General	
Language	English, Hindi
Power	12 VDC \pm 25%, 0.88 A, max.10.56 W, \varnothing 5.5 mm coaxial power plug, reverse polarity protection, PoE: IEEE 802.3af, Class 3, max. 12.5 W
Material	Metal
Dimension	\varnothing 121.5 mm \times 97.6 mm (\varnothing 4.78 inch \times 3.84 inch)
Package Dimension	150 mm \times 150 mm \times 141 mm (5.9 inch \times 5.9 inch \times 5.6 inch)
Weight	Approx. 650 g
With Package Weight	Approx. 890 g
Storage Conditions	-30 °C to 60 °C (-22 °F to 140 °F). Humidity 95% or less (non-condensing)
Startup and Operating Conditions	-30 °C to 60 °C (-22 °F to 140 °F). Humidity 95% or less (non-condensing)
General Function	Heartbeat, mirror, flash log, password reset via email, pixel counter
Protection	IP67, IK10

*Specifications are subject to change without prior notice. *Product picture may differ as per actual.

Available Model

PT-NC327P3-WNRAM(D2)

Dimension



Unit: mm (inch)