

PT-NC228D3(D) 4MP Box Network Camera



Key Features

- High quality imaging with 4 MP resolution
- Clear imaging against strong back light due to 120 dB true WDR technology
- Efficient H.265+ compression technology, provides activity controlled video recording
- Audio and alarm interface available
- RS-485 interface available
- Support unicast and multicast streams
- Supports SADP (Search Active Directory Protocol) for auto discovery of camera in network

Specifications

Camera	
Image Sensor	1/2.8 inch Progressive Scan CMOS
Max. Resolution	2560 × 1440
Min. Illumination	Colour: 0.005 Lux @ (F1.6, AGC ON); B/W: 0 Lux with IR
Shutter Speed	1/3 s to 1/100,000 s
Day & Night	IR cut filter
Lens	
Lens Mount	C/CS mount
Iris Type	DC drive; P-iris (depending on lens type)
Video	
Main Stream	50 Hz: 20 fps (2560 × 1440); 25 fps (1920 × 1080, 1280 × 720) 60 Hz: 20 fps (2560 × 1440); 30 fps (1920 × 1080, 1280 × 720)
Sub-Stream	50 Hz: 25 fps (1920 × 1080, 1280 × 720) 60 Hz: 30 fps (1920 × 1080, 1280 × 720)
Third Stream	50 Hz: 25 fps (1280 × 720, 640 × 480, 640 × 360) 60 Hz: 30 fps (1280 × 720, 640 × 480, 640 × 360)
Fourth Stream	50 Hz: 25 fps (1280 × 720, 640 × 480, 640 × 360) 60 Hz: 30 fps (1280 × 720, 640 × 480, 640 × 360)
Video Compression	Main stream: H.265/H.264/H.265+/H.264+ Sub-stream: H.265/H.264/MJPEG Third stream: H.265/H.264 Fourth stream: H.265/H.264
Video Bit Rate	32 Kbps to 8 Mbps
H.264 Type	Baseline Profile/Main Profile/High Profile
H.265 Type	Main Profile
Bit Rate Control	CBR/VBR
Region of Interest (ROI)	1 fixed region for main stream and sub-stream
Audio	
Audio Compression	G.711ulaw/G.711alaw/G.722.1/G.726/MP2L2/PCM/AAC
Audio Bit Rate	64 Kbps(G.711 ulaw/G.711 alaw)/16 Kbps(G.722.1)/16 Kbps(G.726)/32 to 160 Kbps(MP2L2)/16 to 64 Kbps(AAC)
Audio Sampling Rate	8 kHz/16 kHz
Environment Noise Filtering	Yes
Network	
Protocols	TCP/IP, ICMP, HTTP, HTTPS, FTP, DHCP, DNS, DDNS, RTP, RTSP, RTCP, NTP, UPnP™, SMTP, IGMP, 802.1X, QoS, IPv6, Bonjour, IPv4, UDP, SSL/TLS
Simultaneous Live View	Up to 6 channels
API	ONVIF (Profile S, Profile G, Profile T), ISAPI
User/Host	Up to 32 users. 3 levels: administrator, operator and user
Network Storage	Auto network replenishment (ANR)

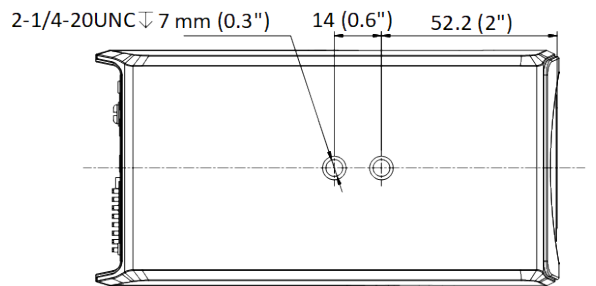
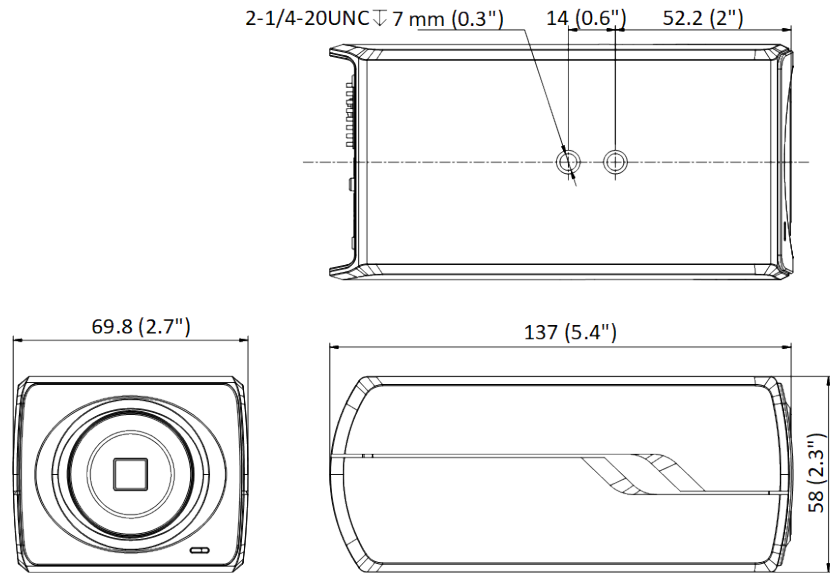
Web Browser	Plug-in required live view: IE 10+ Plug-in free live view: Chrome 57.0+, Firefox 52.0+ Local service: Chrome 57.0+, Firefox 52.0+ Internal Web server support embedded operating system
Image	
Image Settings	Saturation, brightness, contrast, sharpness, AGC, white balance adjustable by client software or web browser.
Day/Night Switch	Day, Night, Auto, Schedule
Wide Dynamic Range (WDR)	120 dB
SNR	≥ 45 dB
Image Enhancement	BLC, 3D DNR
Interface	
Ethernet Interface	1 RJ45 10 M/100 M self-adaptive Ethernet port
On-Board Storage	Built-in memory card slot, support micro SD card, up to 256 GB
Audio	1 input (line in), 3.5 mm connector, max. input amplitude: 3.3 vpp, input impedance: 4.7 K Ω , interface type: non-equilibrium; 1 output (line out), 3.5 mm connector, max. output amplitude: 3.3 vpp, output impedance: 100 Ω , interface type: non-equilibrium.
Alarm	1 alarm in, 1 alarm out, (max. 24 VAC/24 VDC, 500 mA)
RS-485	1 RS-485
Reset Key	Yes
Power Output	12 VDC, max. 200 mA
Event	
Basic Event	Motion detection, video tampering alarm, exception
Smart Event	Line crossing detection, intrusion detection
Linkage	Upload to FTP/memory card, notify surveillance center, send email, trigger recording, trigger capture, trigger alarm output
General	
Power	12 VDC \pm 25%, 0.58 A, max. 7 W, two-core terminal block, reverse polarity protection; 24 VDC \pm 25%, 0.49 A, max. 7 W, two-core terminal block PoE: 802.3af, 36 V to 57 V, 0.22 A to 0.14 A, max. 8 W
Camera Dimension	69.8 mm \times 58 mm \times 137 mm (2.7 inch \times 2.3 inch \times 5.4 inch)
Package Dimension	315 mm \times 140 mm \times 140 mm (12.4 inch \times 5.5 inch \times 5.5 inch)
Camera Weight	Approx. 830 g (1.8 lb.)
With Package Weight	Approx. 1120 g (2.5 lb.)
Storage Conditions	-30 $^{\circ}$ C to 60 $^{\circ}$ C (-22 $^{\circ}$ F to 140 $^{\circ}$ F). Humidity 95% or less (non-condensing)
Startup and Operating Conditions	-30 $^{\circ}$ C to 60 $^{\circ}$ C (-22 $^{\circ}$ F to 140 $^{\circ}$ F). Humidity 95% or less (non-condensing)
Web Client Language	English
General Function	Anti-flicker, heartbeat, mirror, password protection, privacy mask, watermark, title, date and time superimposing, IP address filter
Certification	BIS, CE, FCC

*Specifications are subject to change without prior notice. *Product picture may can be differ as per actual.

Available Model

PT-NC228D3(D)

Dimension



Unit: mm (inch)

Accessory

Optional

Wall Mount	Pendant Mount	Indoor Housing	Indoor Housing
