

PT-NC286D5-IZS (D)

8 MP IR Varifocal Bullet Network Camera



Key Features

- 1/1.8 inch Progressive Scan CMOS
- 3840 × 2160 @25fps
- H.265, H.265+
- H.265+ provides activity controlled video recording
- 120dB WDR
- IP67, IK10
- IR range: Up to 50 m
- IR corrected lens
- Powered by Dark fighter
- BLC/3D DNR/ROI/HLC
- Smart encoding: Support low bit rate, low latency
- 4 behavior analyses and face detection
- Color: 0.008 Lux @ (F1.2, AGC ON), 0.011 Lux @ (F1.4, AGC ON)
- Support Three streams, with unicast and multicast streams
- Camera can be automatically discovered in the network by

Specifications

<i>Camera</i>	
Image Sensor	1/1.8 inch Progressive Scan CMOS
Min. Illumination	Color: 0.008 Lux @ (F1.2, AGC ON), 0.011 Lux @ (F1.4, AGC ON), 0 lux with IR
Shutter Speed	1/3 s to 1/100,000 s
Slow Shutter	Yes
Signal to Noise Ratio	≥ 50 dB
Digital Noise Reduction	3D DNR
WDR	120dB
3-Axis Adjustment	Pan: 0° to 360°, tilt: 0° to 90°, rotate: 0° to 360°
<i>Lens</i>	
Focal length	2.8 to 12 mm, with 1m minimum object distance
Lens Type	Motorized
Aperture	F1.4
Focus	Auto
FOV	Horizontal field of view: 112° to 46° Vertical field of view: 60° to 26° Diagonal field of view: 133° to 53°
Lens Mount	Φ14
<i>IR</i>	
IR Range	Up to 50 m
Wavelength	850nm
<i>Compression Standard</i>	
Video Compression	Main stream: H.265/H.264 Sub stream: H.265/H.264/MJPEG Third stream: H.265/H.264
H.264 Type	Main Profile/High Profile
H.264+	Main stream supports
H.265 Type	Main Profile
H.265+	Main stream supports
Video Bit Rate	32 Kbps to 16 Mbps
<i>Smart Feature-set</i>	
Behavior Analysis	Line crossing detection, intrusion detection, unattended baggage detection, object removal detection
Exception Detection	Scene change detection
Face Detection	Yes
ROI (Region of Interest)	Support 1 fixed region for main stream and sub stream separately
<i>Image</i>	
Max. Resolution	3840 × 2160
Main Stream	50Hz: 25 fps (3840 × 2160, 3072 × 1728, 2560 × 1440, 1920 × 1080, 1280 × 720) 60Hz: 25 fps (3840 × 2160, 3072 × 1728, 2560 × 1440, 1920 × 1080, 1280 × 720)
Sub Stream	50Hz: 25fps (1920 × 1080, 1280 × 720, 640 × 480, 640 × 360, 320 × 240) 60Hz: 30fps (1920 × 1080, 1280 × 720, 640 × 480, 640 × 360, 320 × 240)

Third Stream	50Hz: 25fps (1280 × 720, 640 × 360, 352 × 288) 60Hz: 30fps (1280 × 720, 640 × 360, 352 × 240)
Image Enhancement	BLC/3D DNR/HLC
Image Setting	Rotate mode, saturation, brightness, contrast, sharpness, AGC and white balance adjustable by client software or web browser
Day/Night Switch	Day/Night/Auto/Schedule/Triggered by Alarm In
Network	
Network Storage	Support Micro SD/SDHC/SDXC card (256G), local storage and NAS (NFS,SMB/CIFS), ANR
Alarm Trigger	Motion detection, video tampering, network disconnected, IP address conflict, illegal login, HDD full, HDD error
Protocols	TCP/IP, ICMP, HTTP, HTTPS, FTP, DHCP, DNS, DDNS, RTP, RTSP, RTCP, PPPoE, NTP, UPnP, SMTP, SNMP, IGMP, 802.1X, QoS, IPv6, UDP, Bonjour
General Function	One-key reset, anti-flicker, three streams, heartbeat, mirror, password protection, privacy mask, watermark, title, date and time superimposing, IP address filter
API	ISAPI
Simultaneous Live View	Up to 6 channels
User/Host	Up to 32 users 3 levels: Administrator, Operator and User
Web Browser	Internal Web server support embedded operating system, IE8+, Chrome 31.0-44, Firefox 30.0-51, Safari 8.0+
Interface	
Audio	1 input (line in, 3.5 mm), 1 output (3.5 mm), mono sound
Communication Interface	1 RJ45 10M/100M Base T self-adaptive Ethernet port
Alarm	1 input, 1 output (max. 12 VDC, 30 mA), terminal block
Video Output	1Vp-p composite output (75 Ω) (For adjustment only)
On-board storage	Built-in micro SD/SDHC/SDXC s lot, up to 256 GB
Reset Button	Yes
Audio	
Environment Noise Filtering	Yes
Audio Sampling Rate	8 kHz/16 kHz/32 kHz/44.1 kHz/48 kHz
Audio Compression	G.711/G.722.1/G.726/MP2L2/PCM
Audio Bit Rate	64 Kbps (G.711)/16 Kbps (G.722.1)/16 Kbps (G.726)/32 to 192 Kbps (MP2L2)
General	
Operating Conditions	-30 °C to +60 °C (-22 °F to +140 °F), humidity 95% or less (non-condensing)
Power Supply	12 VDC ± 25%; PoE (802.3a t, class 4)
Power Consumption and Current	12 VDC, 1.2A, max. 14.5W PoE: (802.3a t, 42.5V to 57V), 0.5A to 0.3A, max. 18W
Protection Level	IP67, IK10
Material	Front cover: metal, back cover: metal

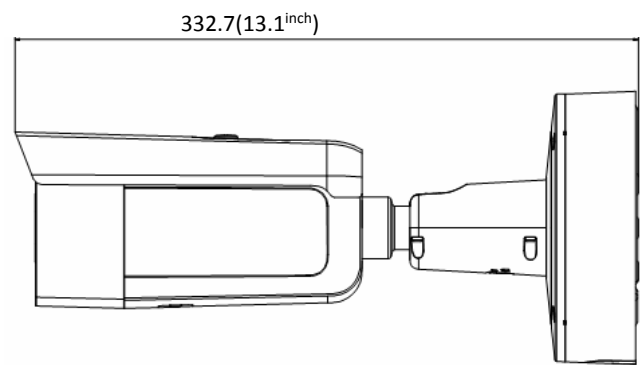
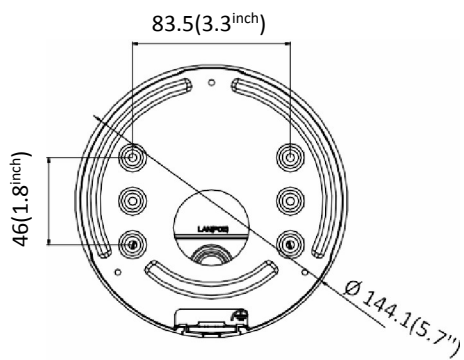
Dimensions	Camera: $\Phi 144 \times 332.7$ mm ($\Phi 5.7$ inch \times 13.1inch)
Weight	Camera: 1400 g (3.1 lb.) With package: 2500 g (5.5 lb.)

*Specifications are subject to change without prior notice. *Product picture may can be differ as per actual.

Available Model:

PT-NC286D5-IZS (D) (2.8 to 12 mm)

Dimensions



Unit: mm (inch)