

CP-UNP-E3241L18-DAQ

4MP WDR 32x IR Network PTZ Camera- 180 Mtr.



- 1/2.8" 4MP PS CMOS Image sensor (0.9071 centimeters)
- Max. 4MP (2688 x 1520)@25fps
- Instastream, H.265, H.264, H.264B, H.264H, MJPEG
- Support Triple stream
- Powerful 32x Optical and 16x Digital zoom
- WDR(120dB), 2D NR/ 3D NR, Day/Night(ICR), ROI, Defog, AWB, BLC
- Up to 300 Presets, 5 Scan, 8 Tour, 5 Pattern
- Support Starlight Technology
- IR Range of 180 Mtr.
- Support PoE, IP67, IK10
- Mobile Software: iCMOB, gCMOB
- CMS Software: KVMS Pro Lite, EVMS Pro



System Overview

Understanding the need of the hour in the security and surveillance industry, this series has been integrated with the starlight technology along with efficient and powerful deep-learning algorithms to make your life hugely easier. The numerous AI-based smart functions of this camera let you capture a face, protect the perimeter and even count people, greatly improving the accuracy of your video analysis. This camera also complies with international certification standards such as IP67 and IK10, as this camera is not just dust-proof and water-proof but also shock-proof and vandal-proof (which is given in selected models).

CTC Technology

CP PLUS Trusted Core Technology is a multi-layered security architecture that brings together the best of cyber security practices and technological intelligence. It is not just an enhancement; it is a complete redefinition of how surveillance should function in today's digital landscape - more intelligent, more secure, and more reliable than ever before.

THINK SECURITY
THINK CP PLUS

 CP PLUS



CP-UNP-E3241L18-DAQ

4MP WDR 32x IR Network PTZ Camera- 180 Mtr.

Functions

Wide Dynamic Range (WDR)

When a scene is partly dark and partly bright, that is the dynamic range that distorts images due to this difference in the lighting. WDR technology provides you balanced lighting for a clear and vivid image throughout the day. WDR technology can be installed at entry/exit points of any building structure, jewelry shops, outdoor location among so many other places.

IK10 Technology

This product has been inculcated with the IK10 vandal resistance technology which is the topmost mechanical protection in the surveillance industry. This technology enables your camera in developing a strong and robust appearance that can't be defeated by water, dust or even severe shocks as the powerful housing of this camera deters any damage from occurring.

Starlight Technology

This camera is widely used to provide sharper and clearer picture quality with the help of its exceptional starlight sensitivity as the camera improves night vision in low light conditions. This technology is useful in conditions with extremely low light as the starlight technology turns almost completely dark images into those of clear colors.

About CP PLUS

The brand that is on its way to lead the world when it comes to the security and surveillance industry, CP PLUS, keeps bombarding the market with the most reliable range of products that have been designed carefully and methodically to automate the whole surveillance and security process, no matter how big your premises are.

It was the initiative to help the public in the area where they are the most vulnerable and to empower the sense of safety in our hearts that had conceptualized CP PLUS. And embarking on its mission to make the world a safer and more secure place has taken the brand's journey to unprecedented levels even when compared to international competitors.

True Day/Night (ICR)

When the scene is too dark, the image is captured by illuminating an infrared light through the camera onto the scene that greatly helps with making the scene visible for the lens. It delivers color images during the day and automatically switches to the monochrome feature as the scene darkens.

Instastream

This camera has been designed with the latest and most efficient innovation among the standard video compression designs. Smart encoding algorithms developed by CP PLUS help in saving up to 70% more bandwidth than H.265 along with making it more beneficial for minimizing bandwidth and storage costs. It enhances video coding efficiency while providing high resolution and the rate of frame in the video using Intelligent Region Perception to detect motion in each frame.



CP-UNP-E3241L18-DAQ

4MP WDR 32x IR Network PTZ Camera- 180 Mtr.

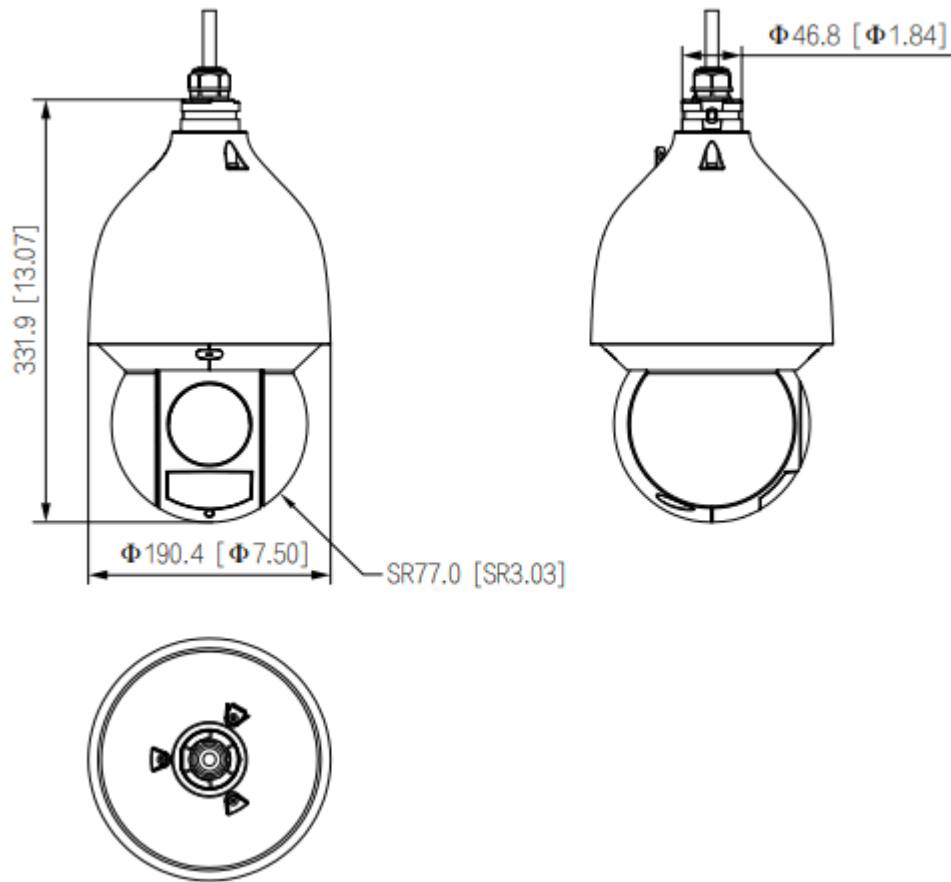
Feature	Specification
Image Sensor	1/2.8" 4MP PS CMOS Image sensor (0.9071 centimeters)
Effective Pixels	2688(H) × 1520(V)
Max. Aperture	F1.6–F4.0
RAM	512 MB
ROM	256 MB
Minimum Illumination	Color: 0.005 lux@F1.6, B/W: 0.0005 lux@F1.6, 0 lux (IR light on)
Focus Control	Auto, Semi-auto, Manual
S/N Ratio	≥55 dB
White Balance	Auto, Indoor, Outdoor, ATW, Manual, Sodium lamp, Natural light, Street lamp
Angle of View	H: 55.8°–2.4°, V: 31.9°–1.3°, D: 63.7°–2.7°
Focal Length	4.8 mm–154 mm
Close Focus Distance	0.8 m–5.0 m
Iris Control	Auto, Manual
Electronic Shutter	1/1 s–1/30,000 s
DORI Distance	2,124 m (Detect), 839 m (Observe), 425 m (Recognize), 212 m (Identify)
Video Format	PAL
Overlay	Channel Title, Time Title, OSD Info (PTZ Coordinate, Zoom, North, Pattern, Temperature, Preset, Location, Input Text, Text Alignment), Font Properties, Custom Title, Exception Overlay
Back Light Compensation	BLC/ HLC/ WDR(120dB)
Pan/ Tilt Range	Pan: 0° to 360° endless, Tilt: –15° to +90°, auto flip 180°
Optical Zoom	32x
Digital Zoom	16x
Bit Rate	H265: 16 Kbps–7424 Kbps, H264: 40 Kbps–8192 Kbps
Image Rotation	180°
Resolution	4MP (2688 × 1520), 4MP (2560 × 1440), 3MP (2304 × 1296), 2MP (1920 × 1080), 1.3MP (1280 × 960), 720p (1280 × 720), D1 (704 × 576), VGA (640 × 480), CIF (352 × 288)
Day/Night	Auto (ICR)/Color/B/W

Feature	Specification
Manual Speed	Pan: 0.1°/s–300°/s, Tilt: 0.1°/s–200°/s
Ethernet	RJ-45 (10/100 Base-T)
Preset Speed	Pan: 400°/s, Tilt: 300°/s
Noise Reduction	2D NR, 3D NR
Power off memory	Support
Privacy Mask	Up to 24 areas can be set, with up to 8 areas in the same view
Image Stabilization	Electronic Image Stabilization (EIS)
Defog	Electronic
Special Features	Up to 300 Presets, 5 Pattern, 8 (up to 32 presets per tour) Tour, 5 Scan
Idle Motion	Preset, Pattern, Tour, Scan
IR Number	4 IR
IR	180 Mtr.
IR Control	Zoom Priority, Manual, Smart IR
Stream Capability	Triple stream
Gain Control	Auto/Manual
Video Compression	Instastream, H.265, H.264, H.264B, H.264H, MJPEG (Sub Stream)
Bit Rate Control	CBR/VBR
Frame Rate	Main stream: 4MP@1-25fps, 1080p,720p@1-50 fps Sub stream 1: D1 (704 × 576)@1-25fps, VGA (640 × 480) @1-25fps, CIF(352 × 288)@1-25fps Sub stream 2: 720P (1280 × 720)@1-25fps
Motion Detection	Support
Audio Compression	AAC, PCM, G.711A, G.711MU, G.726, MPEG2-Layer2, G.722.1
ROI	Support
Event Alarm	Motion Detection, Defocus Detection, Disk Full, Disk Error, Video Tampering, External Alarm, Security Warning, Audio Detection, AI Event
Two-way audio	Support
Auto Tracking	Support
Audio In	1 Channel
Audio Out	1 Channel
Cyber Security	AES 256-bit Encryption, Configuration encryption, Trusted execution, Digest, Security logs, WSSE, Account lockout, Syslog, Video encryption, 802.1x, Allow list/Block list, HTTPS, Trusted upgrade, Trusted boot, Firmware encryption

Feature	Specification
Alarm IN	2 Channel
Alarm Out	1 Channel
Alarm Linkage	Capture, Recording, Send email, Preset, Tour, Pattern, Alarm digital output
Protocols	IPv4, IPv6, HTTP, HTTPS, TCP, UDP, RTP, RTSP, RTCP, RTMP, SMTP V3, SFTP, DHCP, DNS, QoS, UPnP, NTP, Multicast, ICMP, IGMP, NAS, PPPoE, SNMP, Auto Connect, TLS v1.2 and v1.3, ONVIF (Profile S, Profile G, Profile T), InstaOn
Device Search Tool	IP finder
OTA (Over-The-Air)	Support
IVS (Perimeter Protection)	Crossing virtual fence, Tripwire, Intrusion, Abandoned Object, Fast Moving, Parking Detection, Crowd Gathering, Missing Object, Loitering Detection, IMD
Reset Button	Support
IMD	Support
Storage	SFTP, NAS, Mirco SD card (Max. 512GB)
User/Host	20 (Total Bandwidth: 64 M)
Browser	IE, Chrome, Firefox, Safari
Certificates	ISO 9001: 2015, ISO 20000-1 : 2018, CE, FCC and RoHS, BIS, STQC approved compliance report
Power Source	24 VDC, 2.5 A (± 25%) PoE +(802.3at)
Power Consumption	Basic: 8W Max.: 19W (IR + PTZ working)
Weatherproof Standard	IP67, IK10, TVS 6000 V lightning proof, Surge protection, voltage transient protection
Operating Temperature	-40 °C to +70 °C (-40 °F to +158 °F)
Operating Humidity	≤ 95% (RH)
Dimension	331.9 mm × 190.4 mm
Weight	4600g

Published Date –12-03-2026

Dimensions (mm/inch)



Company Name:

CP PLUS (Aditya Infotech Ltd.)

F-28 Okhla Industrial Area, Phase 1,

New Delhi 110020, INDIA

Contact Mail ID :- customercare@cpplusworld.com