

CP-UNP-F4541L30-DPQ

4MP WDR 45x IR Network PTZ Camera- 300 Mtr.



- 1/2.8" 4MP PS CMOS Image sensor (0.9071 centimeters)
- Max. 4MP (2688 x 1520/ 2560 x 1440)@1-25/30fps
- Instastream, H.265, H.264, H.264H, H.264B, MJPEG
- Support Triple Stream
- Powerful 45x Optical and 16x Digital zoom
- WDR(120dB), 2D NR/ 3D NR, Day/Night(ICR), ROI, Defog, AWB, BLC, HLC
- Up to 300 Presets, 5 Scan, 8 Tour, 5 Pattern
- Support Starlight Technology
- IR Range of 300 Mtr.
- Support PoE+, IP67, IK10
- Mobile Software: iCMOB, gCMOB
- CMS Software: KVMS Pro Lite, EVMS Pro



System Overview

Using the advanced algorithms of the twenty-first century this Series by CP Plus has been boosted with the starlight technology which is widely used for getting sharper and clearer images with the help of the unprecedented starlight sensitivity that improves night vision for the camera in low-light conditions. On top of that, the camera also consists of the highly efficient Instastream/H.265 compression technology.

CTC Technology:

CP PLUS Trusted Core Technology is a multi-layered security architecture that brings together the best of cyber security practices and technological intelligence. It is not just an enhancement; it is a complete redefinition of how surveillance should function in today's digital landscape - more intelligent, more secure, and more reliable than ever before.



CP-UNP-F4541L30-DPQ

4MP WDR 45x IR Network PTZ Camera- 300 Mtr.

Functions

Wide Dynamic Range (WDR)

When a scene is partly dark and partly bright, that is the dynamic range that distorts images due to this difference in the lighting. WDR technology provides you balanced lighting for a clear and vivid image throughout the day. WDR technology can be installed at entry/exit points of any building structure, jewelry shops, outdoor location among so many other places.

Starlight Technology

This camera is widely used to provide sharper and clearer picture quality with the help of its exceptional starlight sensitivity as the camera improves night vision in low light conditions. This technology is useful in conditions with extremely low light as the starlight technology turns almost completely dark images into those of clear colors.

IK10 Technology

This product has been inculcated with the IK10 vandal resistance technology which is the topmost mechanical protection in the surveillance industry. This technology enables your camera in developing a strong and robust appearance that can't be defeated by water, dust or even severe shocks as the powerful housing of this camera deters any damage from occurring.

True Day/Night (ICR)

When the scene is too dark, the image is captured by illuminating an infrared light through the camera onto the scene that greatly helps with making the scene visible for the lens. It delivers color images during the day and automatically switches to the monochrome feature as the scene darkens.

Live Viewing

Unlike some, this technology enables you to record the picture feed but view it live as well at your convenience. On top of that, the advantages of high-resolution video recording are numerous.

About CP PLUS

The brand that is on its way to lead the world when it comes to the security and surveillance industry, CP PLUS, keeps bombarding the market with the most reliable range of products that have been designed carefully and methodically to automate the whole surveillance and security process, no matter how big your premises are.

It was the initiative to help the public in the area where they are the most vulnerable and to empower the sense of safety in our hearts that had conceptualized CP PLUS. And embarking on its mission to make the world a safer and more secure place has taken the brand's journey to unprecedented levels even when compared to international competitors.



CP-UNP-F4541L30-DPQ

4MP WDR 45x IR Network PTZ Camera- 300 Mtr.

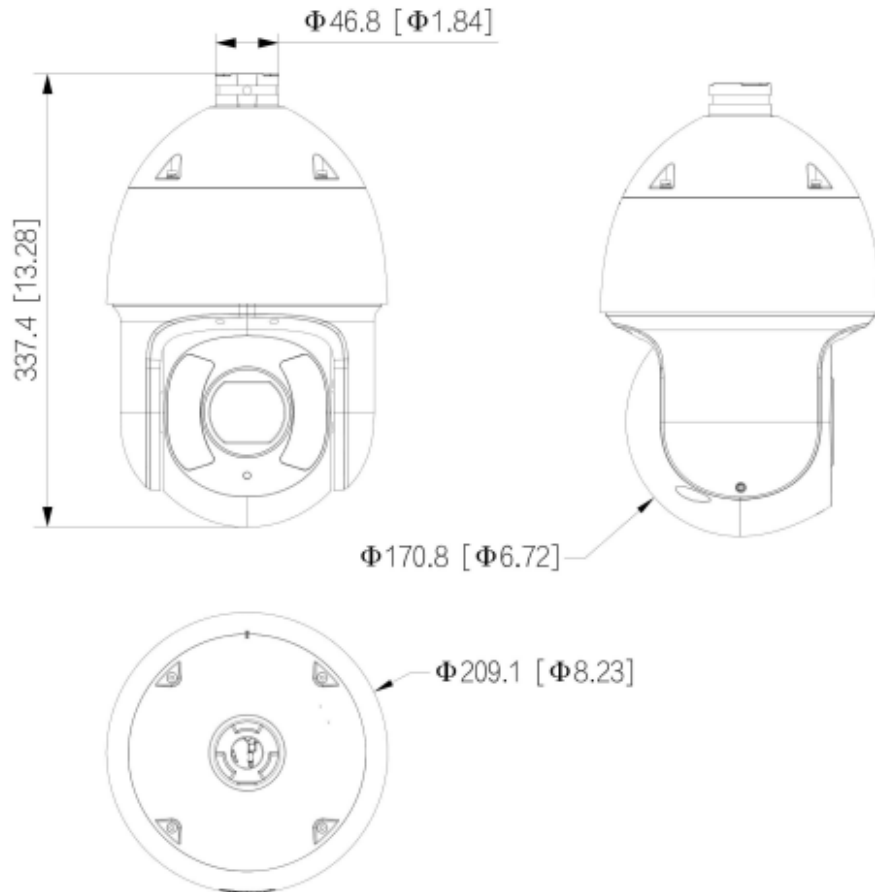
Feature	Specification
Image Sensor	1/2.8" 4MP PS CMOS Image sensor (0.9071 centimeters)
Effective Pixels	2688 (H) x 1520 (V)
Minimum Illumination	0.005 lux@F1.6 (Color, 30 IRE), 0.0005 lux@F1.6 (B/W, 30 IRE), 0 lux@F1.6 (IR on)
Electronic Shutter	1 s–1/30000 s
RAM	512 MB
ROM	256 MB
White Balance	Auto, Indoor, Outdoor, ATW, Manual, Sodium lamp, Natural light, Street lamp
Lens	3.95 mm–177.75 mm
Max. Aperture	F1.6–F4.95
Angle of View	H: 65.7°–1.9°, V: 39.4°–1.1°, D: 73.1°–2.1°
Close Focus Distance	0.1 m–1 m
Iris Control	Auto, Manual
DORI Distance	2,451.7 m (Detect), 972.9 m (Observe), 490.3 m (Recognize), 245.2 m (Identify)
Focus Control	Auto, Semi-auto, Manual
Back Light Compensation	BLC/ HLC/ WDR(120dB)
Overlay	Channel Title, Time Title, OSD Info (PTZ Coordinate, Zoom, North, Pattern, Temperature, Preset, Location, Input Text, Text Alignment), Font Properties, Custom Title, Exception Overlay
Video Format	PAL
S/N Ratio	≥55 dB
Optical Zoom	45x
Digital Zoom	16x
Image Rotation	180°
Pan/Tilt Angle	Pan: 0° to 360°, endless, Tilt: –20° to +90°, Auto flip 180°
Power off memory	Support
Manual Speed	Pan: 0.1°/s–260°/s, Tilt: 0.1°/s–120°/s

Feature	Specification
Preset Speed	Pan: 0.1°/s–300°/s, Tilt: 0.1°/s–200°/s
Image Stabilization	Electronic Image Stabilization (EIS)
Privacy Masking	Up to 24 areas can be set, with up to 8 areas in the same view
Special Features	Up to 300 Presets, 5 Pattern, 8 (up to 32 presets per tour) Tour, 5 Scan
Idle Motion	Pattern, Preset, Scan, Tour
IR	IR Range of 300 Mtr.
IR Number	6 IR
IR Control	Zoom Prio, Manual, Smart IR, Off
Day/Night	Auto (ICR)/Color/B/W
Gain Control	Auto, Manual
Video Compression	Instastream, H.265, H.264, H.264H, H.264B, MJPEG (Sub Stream1)
Resolution	4MP (2688 x 1520), 4MP (2560 x 1440), 3MP (2304 x 1296), 1080p (1920 x 1080), 720p (1280 x 720), D1, VGA, CIF
Stream Capability	Triple Stream
Frame Rate	Main stream: 4MP (2688 x 1520/ 2560 x 1440)@1–25fps, 3MP (2304 x 1296)@1–25fps, 2MP (1920 x 1080)@1–25fps, 720p, Sub stream 1: D1/VGA/CIF@1–25 fps Sub stream 2: 720P@1–25fps
Defog	Electronic
Bit Rate	H265: 86 kbps–8192 kbps, H264: 216 kbps–8192 kbps
Bit Rate Control	CBR/VBR
Motion Detection	Support
RS-485	1 Channel
ROI	Support
Audio In	1 Channel
Audio Out	1 Channel
Audio Compression	PCM, G.711A, G.711MU, G.726, MPEG2-Layer2, G.722.1
Auto Tracking	Support
Alarm IN	7 Channels (on-off value input: 0–5 VDC)
Alarm Out	2 Channels

Feature	Specification
Event Alarm	Motion Detection, Defocus Detection, Disk Full, Disk Error, Video Tampering, External Alarm, Security Warning, Audio Detection, AI Event
Noise Reduction	2D NR/ 3D NR
Cyber Security	AES 256-bit Encryption, Configuration encryption, Trusted execution, Digest, Security logs, WSSE, Account lockout, Syslog, Video encryption, 802.1x, Allow list/Block list, HTTPS, Trusted upgrade, Trusted boot, Firmware encryption
Protocol	IPv4, IPv6, HTTP, HTTPS, TCP, UDP, RTP, RTSP, RTCP, RTMP, SMTP V3, SFTP, DHCP, DNS, QoS, UPnP, NTP, Multicast, ICMP, IGMP, NAS, PPPoE, SNMP, Auto Connect, TLS v1.2 and v1.3, ONVIF (Profile S, Profile G, Profile T), InstaOn
Reset Button	Support
Device Search Tool	IP finder
OTA (Over-The-Air)	Support
SDK and API	Support
IVS(Perimeter Protection)	Crossing virtual fence, Tripwire, Intrusion, Abandoned Object, Fast Moving, Parking Detection, Crowd Gathering, Missing Object, Loitering Detection, IMD
Face Detection	Face detection, Face Enhancement, Face Cutout (Face/ One Inch Photo), Snapshot Mode (Real-Time/ Quality Priority), Optimal face snapshot upload, Quality Threshold
User/Host	20 (Total bandwidth: 64 M)
Ethernet	RJ-45 (10/100 Base-T)
Alarm Linkage	Capture, Recording, Send email, Preset, Tour, Pattern, Alarm digital output
Storage	SFTP, NAS, Mirco SD card (Max. 512GB)
Certificates	ISO 9001: 2015, ISO 20000-1 : 2018, CE, FCC and RoHS, BIS, STQC approved compliance report
Power Source	24 VDC, 2.5 A ± 25% PoE+ (802.3at)
Power Consumption	24 VDC, 2.5 A ± 25%: Basic: 13 W, Max: 25 W (IR + PTZ) PoE+ (802.3at): Basic: 13 W, Max: 25 W (IR + PTZ)
Weather Proof Standard	IP67, IK10, TVS 6000 V lightning proof, Surge protection, Voltage transient protection
Browser	Microsoft Edge, Chrome, Firefox
Operating Temperature	-40 °C to +70 °C (-40 °F to +158 °F)
Operating Humidity	≤ 95% (RH)
Dimension	337.4 mm × 209 mm
Weight	5900g

Published Date -02-03-2026

Dimensions (mm/inch)



Company Name:

CP PLUS (Aditya Infotech Ltd.)

F-28 Okhla Industrial Area, Phase 1,

New Delhi 110020, INDIA

Contact Mail ID :- customercare@cpplusworld.com