

# CP-UNP-H4521L50-DPQ

2MP WDR 45x IR Network PTZ Camera- 500 Mtr.



- 1/2.8" 2MP PS CMOS Image Sensor (0.9071 centimeters)
- Max. 2MP (1920 × 1080)@1-25fps
- AI Instastream, Instastream, H.265, H.264, H.264B, H.264H, MJPEG
- Powerful 45x Optical zoom and 16x Digital zoom
- WDR(120dB), 2D NR/ 3D NR, Day/Night (ICR), Defog, ROI, AGC, AWB, BLC, HLC
- Support Penta stream
- Up to 300 Preset, 5 Auto scan, 8 Tour, 5 Pattern
- Support Starlight Technology
- IR Range of 500 Mtr.
- Support Smart Wiper, IP67, IK10
- Mobile Software: iCMOB, gCMOB
- CMS Software: KVMS Pro Lite, EVMS Pro



## System Overview

Understanding the need of the hour in the security and surveillance industry, this series has been integrated with the starlight technology along with efficient and powerful deep-learning algorithms to make your life hugely easier. The numerous AI-based smart functions of this camera let you capture a face, protect the perimeter and even count people, greatly improving the accuracy of your video analysis. This camera also complies with international certification standards such as IP67 and IK10, as this camera is not just dust-proof and water-proof but also shock-proof and vandal-proof (which is given in selected models).

## CTC Technology

CP PLUS Trusted Core Technology is a multi-layered security architecture that brings together the best of cyber security practices and technological intelligence. It is not just an enhancement; it is a complete redefinition of how surveillance should function in today's digital landscape - more intelligent, more secure, and more reliable than ever before.



# CP-UNP-H4521L50-DPQ

## 2MP WDR 45x IR Network PTZ Camera- 500 Mtr.

### Functions

#### Starlight Technology

This camera is widely used to provide sharper and clearer picture quality with the help of its exceptional starlight sensitivity as the camera improves night vision in low light conditions. This technology is useful in conditions with extremely low light as the starlight technology turns almost completely dark images into those of clear colors.

#### Smart Analytical Support

Using an advanced algorithm, smart analytical technology lets you set a multitude of safety parameters and sends you alerts when any of those parameters have been compromised. Not just when there's an occurrence of tripwire or intrusion, but also in the cases of missing or abandoned objects.

#### Regions of Interest

Regions of Interest is a user defined feature that allows the operator to monitor specific areas of a scene while still maintaining overall situational awareness of less important areas.

#### Wide Dynamic Range (WDR)

When a scene is partly dark and partly bright, that is the dynamic range that distorts images due to this difference in the lighting. WDR technology provides you balanced lighting for a clear and vivid image throughout the day. WDR technology can be installed at entry/exit points of any building structure, jewellery shops, outdoor location among so many other places.

#### Instastream

This camera has been designed with the latest and most efficient innovation among the standard video compression designs. Smart encoding algorithms developed by CP PLUS help in saving up to 70% more bandwidth than H.265 along with making it more beneficial for minimizing bandwidth and storage costs. It enhances video coding efficiency while providing high resolution and the rate of frame in the video using Intelligent Region Perception to detect motion in each frame.

### About CP PLUS

The brand that is on its way to lead the world when it comes to the security and surveillance industry, CP PLUS, keeps bombarding the market with the most reliable range of products that have been designed carefully and methodically to automate the whole surveillance and security process, no matter how big your premises are.

It was the initiative to help the public in the area where they are the most vulnerable and to empower the sense of safety in our hearts that had conceptualized CP PLUS. And embarking on its mission to make the world a safer and more secure place has taken the brand's journey to unprecedented levels even when compared to international competitors.



# CP-UNP-H4521L50-DPQ

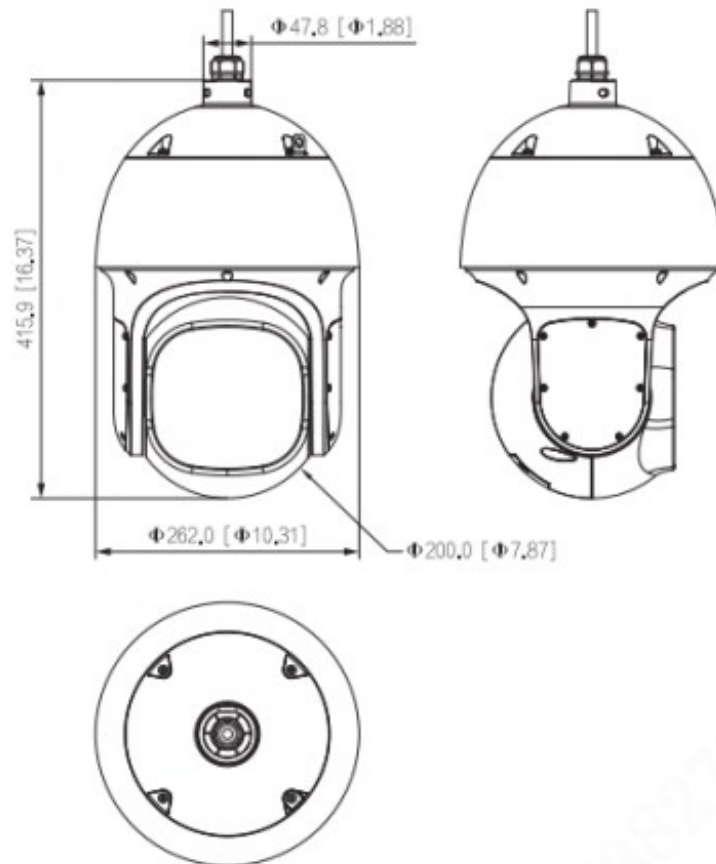
## 2MP WDR 45x IR Network PTZ Camera- 500 Mtr.

Feature	Specification
Image Sensor	1/2.8" 2MP PS CMOS Image Sensor (0.9071 centimeters)
Effective Pixels	1920 (H) × 1080 (V)
Max. Aperture	F1.6–F4.95
S/N Ratio	≥55 dB
RAM	512 MB
ROM	256 MB
Minimum Illumination	0.005 lux@F1.6 (Color, 30 IRE), 0.0005 lux@F1.6 (B/W, 30 IRE), 0 lux@F1.6 (IR on)
White Balance	Auto, Indoor, Outdoor, ATW, Manual, Sodium lamp, Natural light, Street lamp
Angle of View	H: 65.7°–1.9°, V: 39.4°–1.1°, D: 73.1°–2.1°
Video Format	PAL
Close Focus Distance	0.1 m–1 m (0.33 ft–3.28 ft)
Focal Length	3.95 mm–177.75 mm
Focus Control	Auto, Semi-auto, Manual
Resolution	2MP (1920 × 1080), 720p (1280 × 720), D1 (704 × 576), CIF (352 × 288)
DORI Distance	2451.7 m (Detect), 972.9 m (Observe), 490.3 m (Recognize), 245.2 m (Identify)
Shutter Speed	1 s–1/30,000 s
Back Light Compensation	BLC/ HLC/ WDR(120dB)
Optical Zoom	45 ×
Digital Zoom	16×
Pan/ Tilt Range	Pan: 0° to 360° endless, Tilt: –15° to +90°, auto flip 180°
Bit Rate	H.265: 25 kbps–6,400 kbps, H.264: 64 kbps–8,192 kbps
Image Rotation	180°
Manual Speed	Pan: 0.1°/s–300°/s, Tilt: 0.1°/s–140°/s

Feature	Specification
OSD	Camera title, Date & Time
Noise Reduction	2D NR/ 3D NR
Ethernet	RJ-45 (10/100 Base-T)
Special Features	Up to 300 Presets, 5 Pattern, 8 Tour (up to 32 presets per tour), 5 Auto Scan
Preset Speed	Pan: 0.1°/s–300°/s, Tilt: 0.1°/s–200°/s
Storage	SFTP, NAS, Mirco SD card (Max. 512GB)
Wiper	Support
Privacy Mask	Up to 24 areas can be set, with up to 8 areas in the same view
Iris Control	Auto, Manual
Image Stabilization	Electronic Image Stabilization (EIS)
Defog	Electronic
RS-485	1 (baud rate: 1200 bps–9600 bps)
Idle Motion	Preset, Pattern, Tour, Scan
IR Number	10 (IR lights)
Day/Night	Auto (ICR), Electronic, Color/B/W
IR	IR Range of 500 Mtr.
IR Control	Zoom Prio, Manual, Auto, Off
Gain Control	Auto, Manual
Video Compression	AI Instastream, Instastream, H.265, H.264, H.264B, H.264H, MJPEG
Bit Rate Control	CBR/VBR
Stream Capability	Penta stream
Frame Rate	Main stream: 2MP (1920 × 1080)@1–25, 720p (1280 × 720)@1–25, D1 (704 × 576)@1–25fps Sub stream 1: D1 (704 × 576)@1–25fps , CIF (352 × 288)@1–25fps Sub stream 2: 2MP (1920 × 1080)@1–25fps, 720p (1280 × 720)@1–25fps, D1 (704 × 576)@1–25fps Sub stream 3: D1 (704 × 576)@1–25fps Sub stream 4: D1 (704 × 576)@1–25fps
Audio Compression	PCM, G.711A, G.711MU, G.726, MPEG2-Layer2, G.722.1, AAC
Motion Detection	Support
Alarm Event	Motion/ tampering detection, Defocus Detection, Audio detection, SD Card Exception (No SD card, Low SD card space, SD card error), Network Exception (Offline, IP Conflict), External Alarm, IMD, Security Warning, AI Events

Feature	Specification
Device Search Tool	IP finder
OTA (Over-The-Air)	Support
SDK and API	Support
ROI	Support
Power off memory	Support
Audio In	1 Channel (LINE IN, bare wire)
Audio Out	1 Channel (LINE OUT, bare wire)
Alarm Linkage	Capture, Recording, Send email, Preset, Tour, Pattern, Alarm digital output
Alarm IN	7 (on-off value input: 0–5 VDC)
Alarm Out	2 Channel
Cyber Security	AES 256-bit Encryption, Configuration encryption, trusted execution, Digest, security logs, WSSE, account lockout, syslog, video encryption, 802.1x, Allow list/Block list, HTTPS, trusted upgrade, trusted boot, firmware encryption
Protocols	SFTP, IPv6, IPv4, DNS,RTCP, NTP, RTP, HTTP, HTTPS, SNMP V3, TLS Version 1.2, TCP/IP, PPPoE, NFS, UDP, ICMP, SSL, DHCP, SMTP, RTSPS, RTMP, ONVIF (Profile S, Profile G, Profile T), unicast, multicast, InstaOn
IVS(Perimeter Protection)	IMD, Crossing Virtual Fence, Tripwire, Intrusion, Abandoned Object, Fast Moving, Parking Detection, Crowd Gathering, Missing Object, Loitering Detection, Face Detection
Tracking Trigger Event	Motion Detection, Defocus Detection, Disk Full, Disk Error, Video Tampering, External Alarm, Security Warning, Audio Detection, AI Event
Certificates	ISO 9001: 2015, ISO 20000-1 : 2018, CE, FCC and RoHS, BIS, STQC approved compliance report
Power Source	36 VDC, 2.23 A ± 25% PoE+ (802.3at)
Power Consumption	Basic: 16 W, Max: 29 W (IR + PTZ)
Browser	IE, Chrome, Firefox, Safari
User/Host	20 (total bandwidth: 64 M)
Operating Temperature	–40 °C to +70 °C (–40 °F to +158 °F)
Operating Humidity	≤95% (RH), non-condensing
Weatherproof Standard	IP67, IK10, TVS 6000 V lightning proof, surge protection, voltage transient protection
Dimension	415.9mm × 262.0mm
Weight	8500g

Dimensions (mm/inch)



**Company Name:**

CP PLUS (Aditya Infotech Ltd.)

F-28 Okhla Industrial Area, Phase 1,

New Delhi 110020, INDIA

**Contact Mail ID :-** [customercare@cpplusworld.com](mailto:customercare@cpplusworld.com)