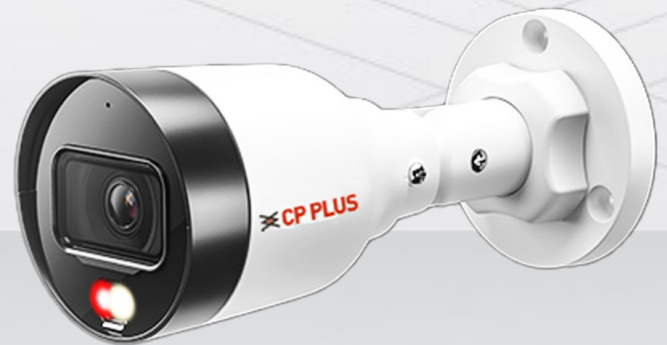


CP-UNC-TA41L3C-D-LQ2

4MP Dual Light Bullet Camera - 30Mtr.

- 1/2.9" 4MP PS CMOS Image Sensor (0.8758 Centimeters)
- Max. 4MP (2688 x 1520)/ (2560 x 1440)@1-25fps
- H.265, H.264, H.264H, H.264B, MJPEG
- Support Triple Stream
- WDR (120dB), Day/Night (ICR), 3D NR, ROI, AWB, AGC, BLC, HLC
- Support Built-in Mic
- 3.6mm Lens
- IR Range of 30 Mtr., Warm Light Range of 30 Mtr., PoE, IP67
- Mobile Software: iCMOB, gCMOB
- CMS Software: KVMS Pro Lite, EVMS Pro



System Overview

The CP PLUS Advanced Dual Light Cameras provide the perfect solution for elevating your security system. Designed for superior adaptability, these cameras support multiple illumination modes and advanced monitoring features, ensuring unmatched performance in various environments.

CTC Technology:

CP PLUS Trusted Core Technology is a multi-layered security architecture that brings together the best of cyber security practices and technological intelligence. It is not just an enhancement; it is a complete redefinition of how surveillance should function in today's digital landscape - more intelligent, more secure, and more reliable than ever before.



CP-UNC-TA41L3C-D-LQ2

4MP Dual Light Bullet Camera - 30Mtr.

Functions

True Day/Night (ICR)

When the scene is too dark, the image is captured by illuminating an infrared light through the camera onto the scene that greatly helps with making the scene visible for the lens. It delivers color images during the day and automatically switches to the monochrome feature as the scene darkens.

Smart IR

Smart IR technology can display image in the environment of low illuminance or completely dark environment. According to the distance of the targets, the camera adjusts IR LEDs intensity automatically to display the details of the moving target.

Instastream

This camera has been designed with the latest and most efficient innovation among the standard video compression designs. Smart encoding algorithms developed by CP PLUS help in saving up to 70% more bandwidth than H.265 along with making it more beneficial for minimizing bandwidth and storage costs. It enhances video coding efficiency while providing high resolution and the rate of frame in the video using Intelligent Region Perception to detect motion in each frame.

Regions of Interest

Regions of Interest (ROI) is a user defined feature that allows the operator to monitor specific areas of a scene while still maintaining overall situational awareness of less important areas.

About CP PLUS

The brand that is on its way to lead the world when it comes to the security and surveillance industry, CP PLUS, keeps bombarding the market with the most reliable range of products that have been designed carefully and methodically to automate the whole surveillance and security process, no matter how big your premises are.

It was the initiative to help the public in the area where they are the most vulnerable and to empower the sense of safety in our hearts that had conceptualized CP PLUS. And embarking on its mission to make the world a safer and more secure place has taken the brand's journey to unprecedented levels even when compared to international competitors.



CP-UNC-TA41L3C-D-LQ2

4MP Dual Light Bullet Camera - 30Mtr.

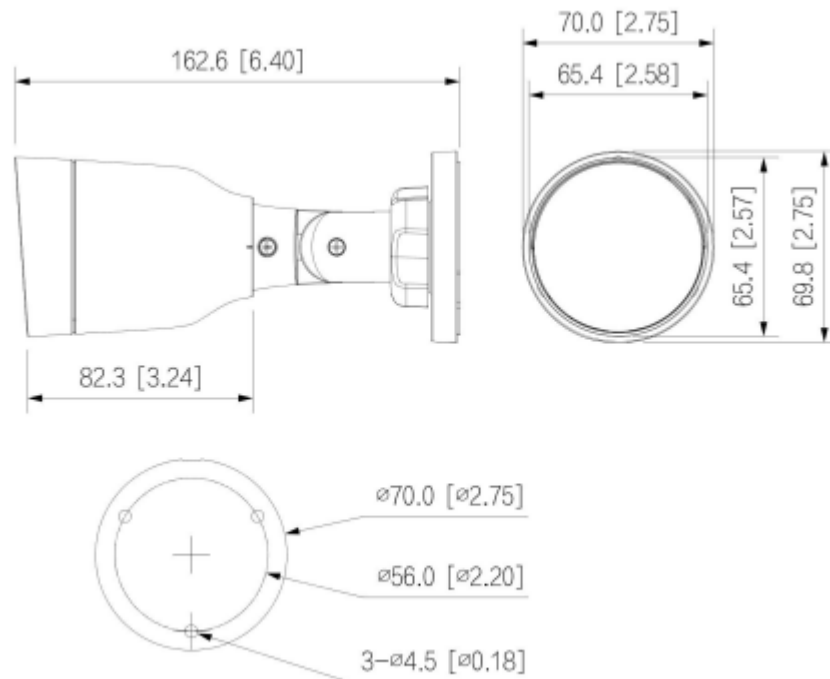
Feature	Specification
Image Sensor	1/2.9" 4MP PS CMOS Image Sensor (0.8758 Centimeters)
Minimum Illumination	0.006 lux @ F1.6 (Color, 30 IRE), 0.0006 lux @ F1.6 (B/W, 30 IRE), 0 lux (IR on)
Effective Pixels	2688 (H) × 1520 (V)
Shutter Speed	Auto/Manual 1/3 s–1/100,000 s
Angle Adjustment	Pan: 0°–360°, Tilt: 0°–90°, Rotation: 0°–360°
RAM	128 MB
ROM	128 MB
White Balance	Auto, Natural, Street lamp, Outdoor, Manual, Regional custom
Image Setting	Brightness, Contrast, Sharpness, Saturation, Gamma
Lens Type	Fixed-focal
Max. Aperture	F1.6
Lens Mount	M12
IR Control	Auto, Manual
Smart IR	Support
IR Number	1 (Multi-core (IR + warm) light)
IR	IR Range of 30 Mtr.
Warm Light	Warm Light Range of 30 Mtr.
Day/Night	Auto(ICR)/Color/B/W
Close Focus Distance	1.6 m
DORI Distance	85.4 m (Detect), 34.2 m (Observe), 17.1 m (Recognize), 8.5 m (Identify)
Gain Control(AGC)	Auto/Manual
Lens	3.6mm Lens
Video Compression	H.265, H.264, H.264H, H.264B, MJPEG (Only supported by the sub stream)
Back Light Compensation	BLC/ HLC/ WDR(120dB)
S/N Ratio	>56dB
Angle of View	H: 78°, V: 41°, D: 94°

Feature	Specification
Stream Capability	Triple Stream
Frame Rate	Main Stream: 4MP (2688 x 1520)/ (2560 x 1440)@1-25fps, 3MP (2304 x 1296)@1-25fps, 1080P (1920 x 1080)@1-25fps, 1.3MP (1280 x 960)@1-25fps, 720P (1280 x 720)@1-25fps Sub stream 1: 720P (1280 x 720)@1-25fps, D1 (704 x 576)@1-25fps, VGA (640 x 480)@1-25fps, CIF (352 x 288)@1-25fps Sub stream 2: D1 (704 x 576)@1-25fps, VGA (640 x 480)@1-25fps, CIF (352 x 288)@1-25fps
Resolution	4MP (2688 x 1520)/ (2560 x 1440), 3MP (2304 x 1296), 1080P (1920 x 1080), 1.3MP (1280 x 960)@1-25fps, 720P (1280 x 720), D1 (704 x 576), VGA (640 x 480), CIF (352 x 288)
Noise Reduction	3D NR
Motion detection	OFF/ON (4 areas, rectangular)
Privacy Mask	4 areas
ROI	Support (4 areas)
Audio	Built-in Mic
Audio Compression	G.711a, G.711Mu, PCM, G.726, AAC
OSD	Channel Title, Time Title, Text Overlay, Font Attribute, Custom Overlay
Bit Rate Control	CBR/VBR
Bit Rate	H.265: 3 kbps–6144 kbps, H.264: 8 kbps–6144 kbps
Video Standard	PAL
Protocol	IPv4, IPv6, HTTP, HTTPS, TCP, ARP, UDP, RTP, RTSP, RTSPS, RTCP, RTMP, SMTP, SFTP, DHCP, DNS, QoS, NTP, Multicast, ICMP, IGMP, SSL, PPPoE, SNMP V3, InstaOn, Auto Connect, ONVIF (Profile S, Profile T)
SDK and API	Support
Event Alarm	Motion Detection, Video Tampering, Illegal Access, Audio Detection, Scene Changing, Security Exception
Cyber Security	AES 256-bit Encryption, Configuration encryption, Trusted execution, Digest, Security logs, WSSE, Account lockout, Syslog, Video encryption, 802.1x, Allow list/Block list, HTTPS, Trusted upgrade, Trusted boot, Firmware encryption
Device Search Tool	IP finder
OTA (Over-The-Air)	Support
Mirror Function	Support
Human Body Detection	Support
Vehicle Detection	Support
Audio Sampling Rate	8 kHz, 16 kHz

Feature	Specification
Record Mode	Manual record, Video detection record, Schedule record Record priority: Manual > Video detection > Schedule
Image Flip	Support
Iris Control	Fixed
Image Rotation	0°/90°/180°/270°
Browser	Edge, IE, Chrome, Firefox
User/Host	6 (Total bandwidth: 24 M)
Ethernet	RJ-45 (10/100 Base-T)
Storage	SFTP
Weatherproof Standard	IP67
Working Voltage	12 VDC (±30%), PoE (802.3af)
Power Source	12 VDC/PoE (802.3af)
Power Consumption	Basic: 2.1 W (12 VDC), 2.5 W (Ethernet Port (PoE)) Max. (H.265 + intelligence + WDR + warm light): 4.4 W (12 VDC), 5.2 W (Ethernet Port (PoE))
Operating Temperature	-40 °C to +60 °C (-40 °F to +140 °F)
Operating Humidity	≤95% (RH), non-condensing
Storage Temperature	-40 °C to +60 °C (-40 °F to +140 °F)
Storage Humidity	≤95% (RH), non-condensing
Casing	Metal + Plastic
Dimension	162.6 mm × 70 mm × 70 mm
Weight	220 g
Certificates	ISO 9001: 2015, ISO 20000-1 : 2018, ISO 14001 : 2015, ISO 45001 : 2018, ISO 50001:2018, CE, FCC, RoHS and BIS, STQC approved compliance report

Published Date – 22-05-2026

Dimensions (mm/inch)



Company Name:

CP PLUS (Aditya Infotech Ltd.)

F-28 Okhla Industrial Area, Phase 1,

New Delhi 110020, INDIA

Contact Mail ID :- customercare@cpplusworld.com