

CP-UNC-TA41L6C-D-Q

4MP Network IR Bullet Camera - 60Mtr.

- 1/2.8" 4MP PS CMOS Image Sensor (0.9071 centimeters)
- Max. 4MP (2688 × 1520)@1-30fps/ 4MP (2560 × 1440)@1-25/30
- Instastream, H.265, H.264, H.264H, H.264B, MJPEG
- Support Triple stream
- WDR(120dB), Day/Night(ICR), 3D NR, AWB, AGC, BLC, HLC
- 6mm Fixed Lens
- Support Built-in Mic
- IR Range of 60 Mtr., IP67, PoE



System Overview

With features of simple installation, easy operation, and high performance-cost ratio, This Series camera is applicable to small and medium-sized scenes, such as homes/residences, small-sized retail stores, and other small and medium-sized enterprises.

CTC Technology:

CP PLUS Trusted Core Technology is a multi-layered security architecture that brings together the best of cyber security practices and technological intelligence. It is not just an enhancement; it is a complete redefinition of how surveillance should function in today's digital landscape - more intelligent, more secure, and more reliable than ever before.



CP-UNC-TA41L6C-D-Q

4MP Network IR Bullet Camera - 60Mtr.

Functions

True Day/Night (ICR)

When the scene is too dark, the image is captured by illuminating an infrared light through the camera onto the scene that greatly helps with making the scene visible for the lens. It delivers color images during the day and automatically switches to the monochrome feature as the scene darkens.

Regions of Interest

Regions of Interest (ROI) is a user defined feature that allows the operator to monitor specific areas of a scene while still maintaining overall situational awareness of less important areas.

Smart IR

Smart IR technology can display image in the environment of low illuminance or completely dark environment. According to the distance of the targets, the camera adjusts IR LEDs intensity automatically to display the details of the moving target.

Instastream

This camera has been designed with the latest and most efficient innovation among the standard video compression designs. Smart encoding algorithms developed by CP PLUS help in saving up to 70% more bandwidth than H.265 along with making it more beneficial for minimizing bandwidth and storage costs. It enhances video coding efficiency while providing high resolution and the rate of frame in the video using Intelligent Region Perception to detect motion in each frame.

About CP PLUS

The brand that is on its way to lead the world when it comes to the security and surveillance industry, CP PLUS, keeps bombarding the market with the most reliable range of products that have been designed carefully and methodically to automate the whole surveillance and security process, no matter how big your premises are.

It was the initiative to help the public in the area where they are the most vulnerable and to empower the sense of safety in our hearts that had conceptualized CP PLUS. And embarking on its mission to make the world a safer and more secure place has taken the brand's journey to unprecedented levels even when compared to international competitors.



CP-UNC-TA41L6C-D-Q

4MP Network IR Bullet Camera - 60Mtr.

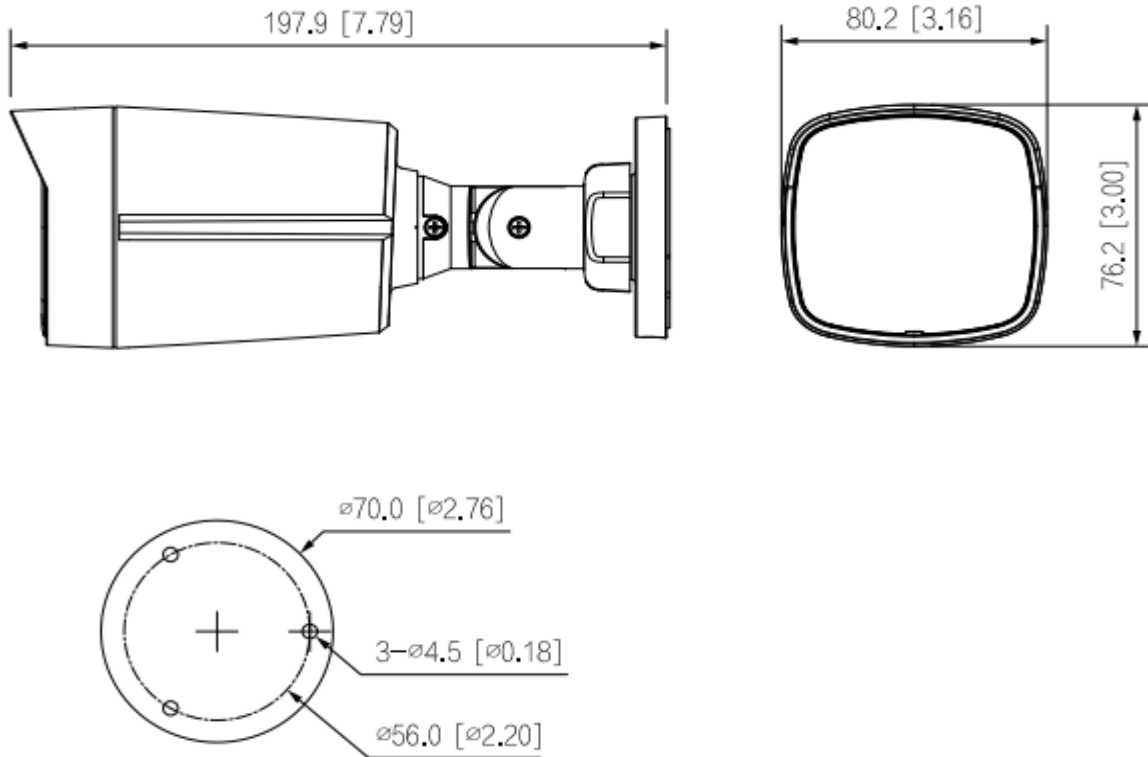
Feature	Specification
Image Sensor	1/2.8" 4MP PS CMOS Image Sensor (0.9071 centimeters)
Minimum Illumination	0.001 lux@F1.4 (Color, 30 IRE), 0.0001 lux@F1.4 (B/W, 30 IRE), 0 lux (IR on)
Effective Pixels	2688 (H) × 1520 (V)
Angle Adjustment	Pan: 0°–360°, Tilt: 0°–90°, Rotation: 0°–360°
Shutter Speed	Auto/Manual 1/3 s–1/100,000 s
White Balance	Auto, Natural, Street lamp, Outdoor, Manual, Regional custom
RAM	128 MB
ROM	128 MB
Close Focus Distance	3.2 m
Gain Control(AGC)	Auto, Manual
Lens Type	Fixed-focal
Max. Aperture	F1.4
Lens Mount	M12
DORI Distance	124.0 m (Detect), 49.6 m (Observe), 24.8 m (Recognize), 12.4 m (Identify)
Video Format	PAL/NTSC
OSD	Camera title, Date & Time
Lens	6mm Fixed Lens
Angle of View	H: 49°, V: 26°, D: 57°
S/N Ratio	>58dB
Video Compression	Instream, H.265, H.264, H.264H, H.264B, MJPEG (only supported by the sub stream)
Back Light Compensation	BLC/ HLC/ WDR (120dB)
Day/Night	Auto(ICR)/Color/B/W
IR Number	4 IR LED
IR	IR Range of 60 Mtr.
Smart IR	Support

Feature	Specification
Resolution	4MP (2688 x 1520)/ (2560 x 1440), 3MP (2304 x 1296), 2MP (1920 x 1080), 1.3MP (1280 x 960), 720p (1280 x 720), D1 (704 x 576/704 x 480), VGA (640 x 480), CIF (352 x 288/352 x 240)
Stream Capability	Triple stream
Frame Rate	Main stream: 4MP (2688 x 1520)@1-25/30fps, 4MP (2560 x 1440)@1-25/30 Sub stream 1: 720P(1280 x 720) D1 (704 x 576)@1-25 fps/ (704 x 480)@1-30 fps, VGA(640 x 480)@1-30fps, CIF (352 x 240)@1-30fps, (352 x 288) @1-25fps Sub stream 2: D1 (704 x 576)@1-25 fps/ (704 x 480)@1-30 fps, VGA(640 x 480)@1-30fps, CIF (352 x 240)@1-30fps/ (352 x 288) @1-25fps
Motion detection	OFF/ON (4 areas, rectangular)
Privacy Mask	4 areas
ROI	Support (4 Areas)
Audio Compression	G.711a, G.711Mu, PCM, G.726, AAC
Mirror Function	Support
Audio	Built-In Mic
Bit Rate	H.265: 3 kbps-6144 kbps, H.264: 8 kbps-6144 kbps
Bit Rate Control	CBR/VBR
Human Body Detection	Support the classification and accurate detection of human
Protocol	SFTP, IPv6, IPv4, DNS, RTCP, NTP, RTP, RTMP, HTTP, HTTPS, SNMP V3, TLS Version 1.2, TCP/IP, PPPoE, NFS, UDP, ICMP, IGMP, SSL, DHCP, SMTP, RTSPS, ONVIF (Profile S, Profile G, Profile T), unicast, multicast
Noise Reduction	3D NR
Ethernet	RJ-45 (10/100 Base-T)
SDK and API	Support
Alarm Event	Network disconnection, IP conflict, illegal access, Motion detection, Video tampering, Audio detection, IMD (Intelligent motion detection), Security exception
Cyber Security	AES 256-bit Encryption, Configuration encryption, trusted execution, Digest, security logs, WSSE, account lockout, syslog, video encryption, IP/MAC filtering, HTTPS, trusted upgrade, trusted boot
Browser	IE, Chrome, Firefox
IR Control	Auto, Manual
Image Rotation	4MP only support 0°/180° 2MP & lower will support 0°/90°180°/270°

Feature	Specification
Smart search	Work together with Smart NVR to perform refine intelligent search, event extraction and merging to event videos
Iris Control	Fixed
User/Host	6 (Total bandwidth: 36 M)
Weatherproof Standard	IP67
Certificates	ISO 9001: 2015, ISO 20000-1 : 2018, CE, FCC and RoHS, BIS, STQC approved compliance report
Power Source	12 VDC/PoE (802.3af)
Power Consumption	Basic: 2 W (12 VDC); 2.9 W (PoE) Max. (H.265 + intelligence on+ WDR + illuminator intensity): 5.3W (12 VDC), 6.8 W (PoE)
Operating Temperature	-40 °C to +60 °C (-40 °F to +140 °F)
Operating Humidity	≤95%
Storage Temperature	-40 °C to +60 °C (-40 °F to +140 °F)
Storage Humidity	≤95%
Casing	Metal + Plastic
Dimension	197.9 mm × 80.2 mm × 76.2 mm
Weight	310g

Published Date –19-08-2025

Dimensions (mm/inch)



Company Name:

CP PLUS (Aditya Infotech Ltd.)

F-28 Okhla Industrial Area, Phase 1,

New Delhi 110020, INDIA

Contact Mail ID :- customercare@cpplusworld.com