

PT-NRAS3A00-I8/S

Intelligent Series NVR

Key Features

- Embedded Linux Dual OS design
- H.265+/H.265/H.264+/H.264 video formats
- Intelligent analytics based on Intelligent algorithm
- Up to 4-ch perimeter protection
- Up to 1-ch facial recognition for video stream or up to 4-ch facial recognition for face picture
- Up to 32/64-ch IP camera inputs
- Up to 16-ch 1080p decoding capability
- Up to 320 Mbps incoming bandwidth
- Support ONVIF (Profile S, Profile G), for connecting third party network cameras



Compression and Recording

- H.265+ compression effectively reduces the storage space by up to 75%
- Full channel IP cameras connection
- Adopt stream over TLS encryption technology which provides more secure stream transmission service
- Support double verification for playback and downloading

HD Video Output

- Provide independent HDMI and VGA outputs
- HDMI video output at up to 4K resolution

Storage and Playback

- Up to 8 SATA interfaces for HDD connection
- 16-ch synchronous playback at up to 1080p resolution

Smart & POS Function

- Support multiple VCA (Video Content Analytics) events
- Smart search for the selected area in the video, and smart playback to improve the playback efficiency

- POS information overlay on live view and playback
- POS triggered recording and alarm

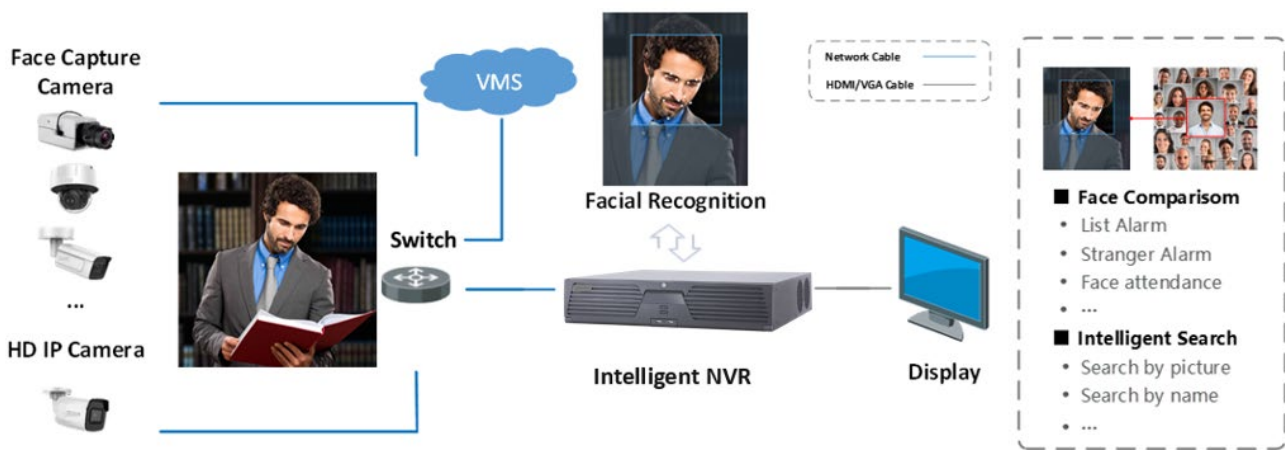
Network & Ethernet Access

- 2 self-adaptive 10/100/1000 Mbps Ethernet interfaces
- Prama Online & DDNS (Dynamic Domain Name System) for easy network management
- Smooth streaming technology
- Support web access without plug-in
- Configurable normal or hot spare working mode to constitute an N+1 hot spare system

Typical Application

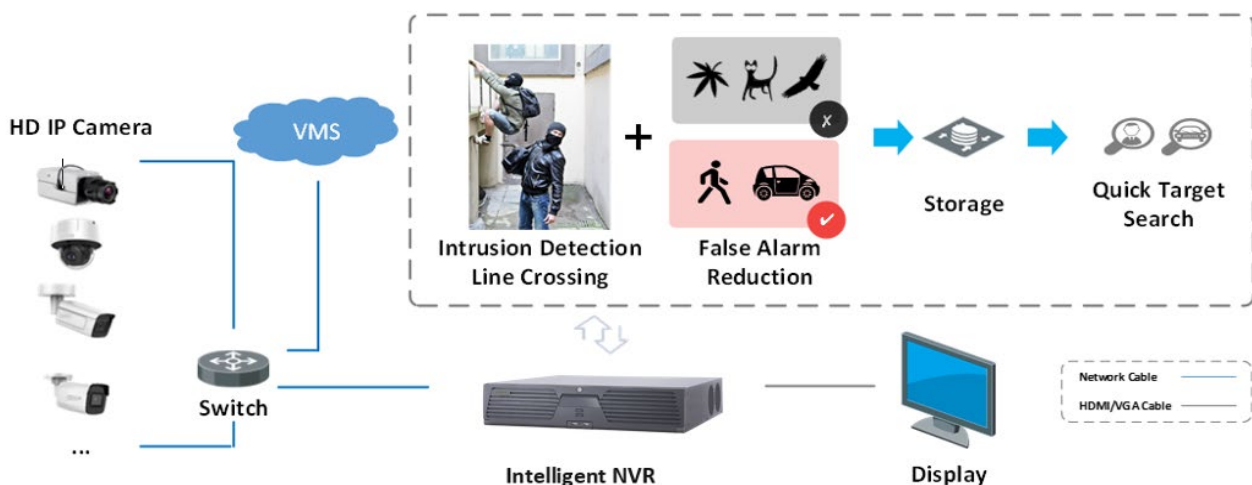
Facial Recognition and Face Picture Comparison

Modeling and analyzing face pictures captured by cameras. Realize block list alarm and stranger alarm via face picture library. Search target people by picture and name features.



Perimeter Protection

Adopt intelligent algorithm to reduce false alarm, effectively reduces the false alarm caused by tree branches, leaves, shadow, light, vehicles, small animals, etc.



Specification

Model	PT-NRAS3A32-I8/S	PT-NRAS3A64-I8/S
Facial Recognition*		
Facial detection and analytics	Face picture comparison, human face capture, face picture search	
Face picture library	Up to 16 face picture libraries, with up to 10,000 face pictures in total (each picture ≤ 15 KB, total capacity ≤ 150 MB)	
Face picture comparison	4-ch face picture comparison alarm	
Performance of facial detection and analytics	1-ch human face capture (HD network camera, up to 8 MP, H.264/H.265)	
Perimeter Protection*		
Human/Vehicle Analysis	Up to 4-ch 2 MP (H.264/H.265) video analysis for human and vehicle recognition; Up to 12 rules in total	
Video and Audio		
IP video input	32-ch	64-ch
	Up to 12 MP resolution *: 32 MP and 24 MP is only available for channel 1 when ultra HD resolution mode is enabled.	
Incoming bandwidth	320 Mbps	
Outgoing bandwidth	256 Mbps	
Incoming bandwidth (RAID mode)	200 Mbps	
Outgoing bandwidth (RAID mode)	200 Mbps	
HDMI1 output	4K (3840 × 2160)/60Hz, 4K (3840 × 2160)/30Hz, 2K (2560 × 1440)/60Hz, 1920 × 1080/60Hz, 1600 × 1200/60Hz, 1280 × 1024/60Hz, 1280 × 720/60Hz, 1024 × 768/60Hz	
HDMI2 output	1920 × 1080/60Hz, 1280 × 1024/60Hz, 1280 × 720/60Hz, 1024 × 768/60Hz	
VGA output	1-ch, 1920 × 1080/60Hz, 1280 × 1024/60Hz, 1280 × 720/60Hz, 1024 × 768/60Hz	
Video output mode	HDMI1/VGA simultaneous output, HDMI2/VGA independent output	
Audio output	2-ch, RCA (Linear, 1 KΩ)	
Two-way audio input	1-ch, RCA (2.0 Vp-p, 1 KΩ)	
Decoding		
Video decoding format	H.265+/H.265/H.264+/H.264/MPEG4	
Recording resolution	32 MP/24 MP/12 MP/8 MP/6 MP/5 MP/4 MP/3 MP/1080p/UXGA/720p/VGA /4CIF/DCIF/2CIF/CIF/QCIF *: 32 MP and 24 MP is only available for channel 1 when ultra HD resolution mode is enabled.	
Synchronous playback	16-ch	
Capability	16-ch@1080p (30 fps)	
Dual stream recording	Support	
Stream type	Video, Video & Audio	

Audio compression	G.711ulaw/G.711alaw/G.722/G.726/MP2L2/AAC
Network	
Remote connections	128
Network protocol	TCP/IP, DHCP, IPv4, IPv6, DNS, DDNS, NTP, RTSP, SADP, SMTP, SNMP, NFS, iSCSI, UPnP™, HTTP, HTTPS
Network interface	2, RJ-45 10/100/1000 Mbps self-adaptive Ethernet interface
RAID	
RAID Type	RAID0, RAID1, RAID5, RAID6, RAID10
Auxiliary interface	
Serial port	RS-485 (full-duplex), RS-232, Keyboard
SATA	Hot swappable 8 SATA interfaces
Capacity	Up to 10 TB capacity for each disk with 7200 RPM
eSATA	1 eSATA interface
Alarm in/out	16/8
USB interface	Front panel: 2 × USB 2.0; Rear panel: 1 × USB 3.0
General	
Power supply	100 to 240 VAC, 50 to 60 Hz (Dual , Redundant & Hot swap)
Consumption (without HDD)	≤ 30 W
Working temperature	-10°C to 55°C (14°F to 131°F)
Working humidity	10% to 90%
Chassis	19 inch rack mounted 2U chassis
Dimension (W × D × H)	442 × 459 × 92 mm (17.4 inch × 18 inch × 3.6 inch)
Weight (without HDD)	≤ 8.7 kg (19.2 lb.)
Certification	BIS, CE, FCC

*Facial recognition and perimeter protection cannot be enabled at the same time. Enable one function will make the other one unavailable.

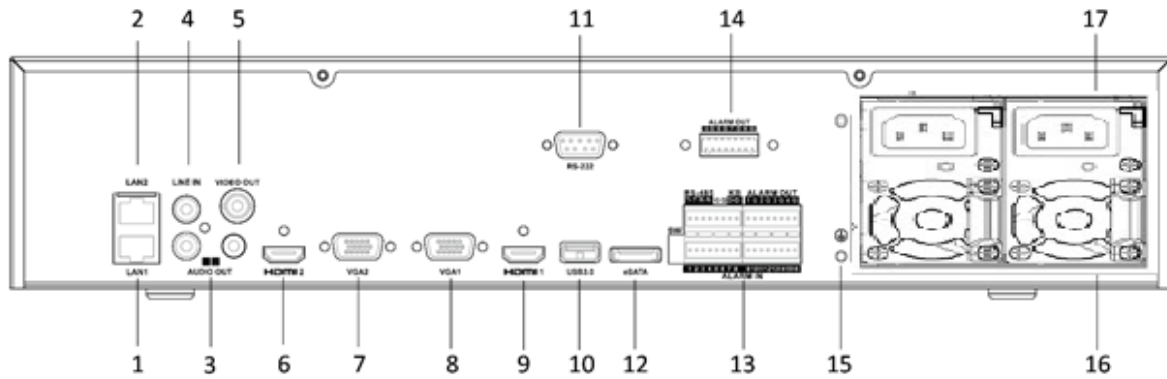
*Specifications are subject to change without prior notice. *Product picture may can be differ as per actual.

Available Model

PT-NRAS3A32-I8/S

PT-NRAS3A64-I8/S

Physical Interface



No.	Description	No.	Description
1	LAN1 interface	9	HDMI1
2	LAN2 interface	10	USB 3.0 interface
3	AUDIO OUT	11	RS-232 serial interface
4	LINE IN	12	eSATA interface
5	VIDEO OUT	13	ALARM IN/OUT, RS-485 serial interface, Keyboard
6	HDMI2	14	ALARM OUT
7	VGA2	15	GND
8	VGA1	16	100 to 240 VAC power supply