

SATATYA MIDR80FL60CWP P2

8MP IR Dome Camera with 6mm Lens with Audio



SATATYA MIDR80FL60CWP P2
8MP IR Dome Camera with 6mm
Lens with Audio

Matrix Professional Series Dome IP Cameras are built using superior components such as Sony STARVIS sensor and high MTF lens to offer unmatched image quality especially during the low light conditions. Powered by True WDR algorithm, these cameras offer consistent image quality even in highly varying light conditions. Built in intelligent analytics including Motion Detection, Intrusion Detection, Trip Wire, etc. ensure real-time security. Moreover, H.265 compression and Automatic Motion based Frame Rate Reduction save bandwidth and storage up to 50%.

USP



SONY STARVIS
SENSOR



H.265
COMPRESSION



IVA



HIGHER FIELD
OF VIEW



SMART
STREAMING



ADAPTIVE
STREAMING



TRUE WDR



NAS

CERTIFICATION



SATATYA MIDR80FL60CWP P2

8MP IR Dome Camera with 6mm Lens with Audio



TECHNICAL SPECIFICATIONS	
IMAGE SENSOR	
Resolution	8 MP (3840 x 2160)
Sensor Type and Size	1/2.8" SONY - CMOS 8MP Active Pixel Progressive Scan, Back Illuminated Image sensor (STARVIS Series)
LENS	
Minimum Illumination	Color - 0.01 Lux @ F1.2 (AGC ON) Monochrome - 0 Lux
Focal Length	6mm
Focus Range	0.3m to infinity
Field of View (FOV)	HFOV – 51.26° VFOV – 28.84° DFOV – 58.74°
Lens Mount	M12
Focus	Fixed focus
Aperture (F#)	F 1.6
Iris Type	Fixed
IR Range	Up to 30m
IR Led Wavelength	850nm
IR Switching	Auto/ Manual
DORI AS PER IEC 62676 - IV	D: 174m, O: 69 m, R: 34.5 m, I: 17 m
AUDIO INTERFACE	
Audio IN	In-built Microphone
Audio OUT	1x(3.5mm stereo female audio jack)
Two-way Audio	Supported
Audio Compression	G.726 and G.711μ
HARDWARE SPECIFICATIONS	
SD Card	Up to 512GB
Camera Adjustment Angle	Pan: 0° to 330° Tilt: 0° to 75° Rotate: 0° to 330°
IMAGE AND VIDEO	
No of Stream Profiles	4
Stream Profiles	Profile 1: 4K @30fps (H.265/H.264) Profile 2: D1 @30fps (H.265/H.264) Profile 3: 3MP @10fps (H.265/H.264/MJPEG) Profile 4: 2MP @15fps (H.265/H.264/MJPEG)
Available Resolutions	3840 x 2160, 3200 x 1800, 2592 x 1944, 2592 x 1520, 2048 x 1536, 1920 x 1080, 720p, D1, VGA, 2CIF, CIF

SATATYA MIDR80FL60CWP P2

8MP IR Dome Camera with 6mm Lens with Audio



Max Resolution	3840 x 2160
Bitrate	128 kbps-16Mbps
Bitrate Type	CBR, VBR
Video Compression	H.265, H.264, MJPEG
Frame Rate	1-30fps
Shutter Speed	1/15s - 1/100000s
Adaptive Streaming	Yes
ONVIF Profiles	S, G and T
Edge Recording	Yes
Alarm Recording	Pre and Post
Motion Recording	Yes
Video Parameters	Snapshot, Region of Interest (ROI), BLC, HLC, Day/Night Settings, Dynamic FPS
Privacy Masks	8
WDR	True WDR (120dB)
SNR	>70dB
Image Enhancement	Saturation/ Contrast/ Sharpness/Brightness/Auto Exposure/ HVS-Forensics/ Smart IR
DNR	2D &3D
Digital Zoom	16x
Video Analytics	Motion Detection, Tamper Detection, Trip/No TripDetection, Object Intrusion/Zone Intrusion, Audio Exception
ALERTS	
IP Conflict	Yes
Network Disconnect	Yes
Storage Full	Yes
Time Triggered	Yes
EVENTS AND ACTIONS	
Upload Image	SD, NAS, SFTP
Upload Clip	SD, NAS, SFTP
Notifications	E-mail, SMS, TCP
PROTOCOLS SUPPORTED	
Supported protocols	TCP/IP, UDP, HTTP, HTTPS, DHCP, DNS, DynDNS, DDNS, RTP, RTCP, RTSP, PPPOE, SMTP, NTP, SNMP, FTP, TLS/SSL, SFTP, ICMP, IGMPv2 & v3, ARP, 802.1x, IPv4, IPv6, QoS Layer 3, DSCP, CIFS, SSH, UPnP, Bonjour
Web Viewer	Supported in IE 8.0-11.0, Firefox 15.0-47.0, Chrome 20.0-54.0
Browser	IE, Chrome, Mozilla

SATATYA MIDR80FL60CWP P2

8MP IR Dome Camera with 6mm Lens with Audio



CYBER SECURITY as per ISO/IEC 27402	
Secure boot	Yes
Signed firmware	Yes
Data Encryption	All data, including sensitive data, is encrypted with AES 256 and RSA 2048
IP Address Filtering	Yes
HTTPs Streaming	Yes, using TLS 1.2
Edge Data Encryption	Yes
Network Authentication	Yes, 802.1x Network authentication
Secure Firmware Upgrade	Yes
Anti-roll back firmware	Yes
Web login Password Protection	Yes
Unused Debug Interface Protection	Yes
OPERATING PARAMETERS	
Power Supply	12V (DC); 802.3af (PoE)
Power Consumption	Maximum 8W
Operating Humidity	Less than 95% RH (non-condensing)
Operating Temperature	-30°C to 60°C
Storage Temperature	-30°C to 60°C
PHYSICAL PARAMETERS	
Communication interface	10Base-T/100BaseTX Ethernet (RJ-45)
Weight	740 grams
Color	Infinity White
Dimensions	Φ126mm x 100mm
Storage	NAS, SD Card
Certifications	NDAA Compliant, CE, IP67, FCC Part-15 Subpart - B, ONVIF S, G & T, IK10, Essential Requirement (ER) by STQC, Delhi

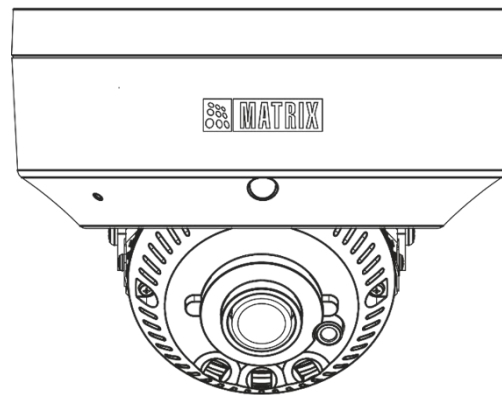
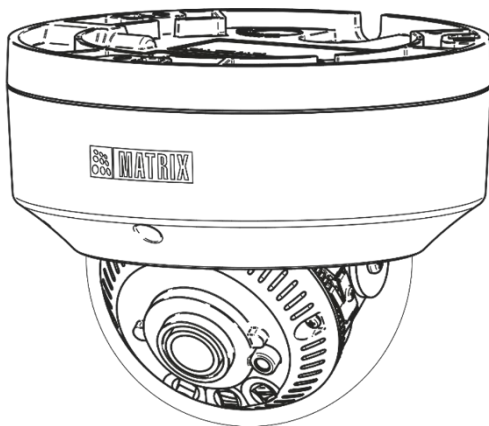
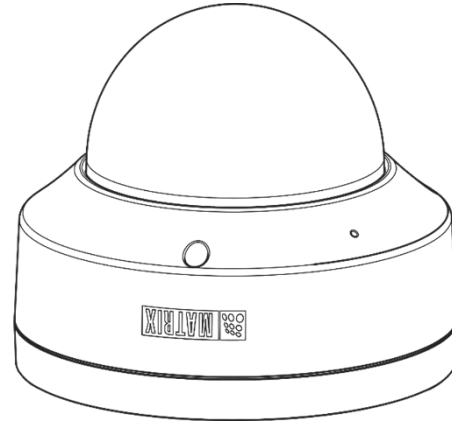
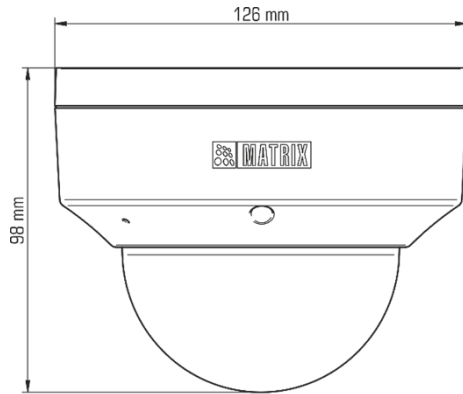
Specifications are subject to change without prior notice

SATATYA MIDR80FL60CWP P2

8MP IR Dome Camera with 6mm Lens with Audio



DIMENSIONS (in mm)



SATATYA MIDR80FL60CWP P2

8MP IR Dome Camera with 6mm Lens with Audio



ABOUT MATRIX

Established in 1991, Matrix is a leader in security and telecom solutions for modern businesses and enterprises. Matrix, an innovative, technology driven and customer focused organization, is committed to keep pace with the revolutions in security and telecom industries. With more than 40% of its human resources dedicated to the development of new products, Matrix has launched cutting-edge products such as Unified Communications, IP-PBX, Universal Gateways, Convergence, VOIP Gateways, GSM Gateways, IP Video Surveillance, Access Control and Time-Attendance. These solutions are feature-rich, reliable and conform to the international standards. Having global footprints in Europe, North America, South America, Africa and Asia through an extensive network of more than 4000 channel partners, Matrix ensures that the products serve the needs of its customers faster and longer. Matrix has gained trust and admiration of customers representing the entire spectrum of industries. Matrix has won many national and international awards for its innovative products.



MATRIX COMSEC

Head Office

394 – GIDC, Makarpura,

Vadodara – 390 010,

India.

Ph: +91 265 613 7222

E-mail: Inquiry@MatrixComSec.com

Factory

19 – GIDC, Waghodia,

Dist. Vadodara – 391 760, India.

Ph: +91 265 613 7222

MATRIX COMSEC – North America

2 Wickstead

Crt, Brampton,

Ontario – L6R 1N8.

Ph: (+1) 408-643-0581 (USA)

Ph: (+1) 437-266-1005 (Canada)

www.MatrixComSec.com