

# SATATYA MITC80FL28CWS P2

8MP All Color Camera with 2.8mm Lens



**SATATYA MITC80FL28CWS P2**  
8MP All Color Camera with 2.8mm Lens

Matrix All Color Cameras are engineered to provide vibrant colored images even in challenging low-light or no-light scenarios. These cameras feature warm LEDs, ensuring full-color performance 24/7. With the turret enclosure, these cameras offer easy axis adjustment post-installation, minimize reflections with chambered LEDs, and reduce fingerprint smudges on the glass due to a smaller glass area.

Furthermore, the camera offers built-in video analytics such as motion detection, intrusion detection, tamper detection, and tripwire detection to aid you in proactively handling potential risks. Finally, backed by national and international certifications, these devices guarantee maximum operating time without failure.

## USP



SONY STARVIS  
SENSOR



H.265  
COMPRESSION



IVA



HIGHER FIELD  
OF VIEW



SMART  
STREAMING



ADAPTIVE  
STREAMING



TRUE WDR



NAS

## CERTIFICATION



# SATATYA MITC80FL28CWS P2

## 8MP All Color Camera with 2.8mm Lens



| TECHNICAL SPECIFICATIONS   |  |
|----------------------------|--|
| IMAGE SENSOR               |  |
| Resolution                 | 8 MP (3840*2160)   |
| Sensor Type and Size       | 1/2.8" SONY - CMOS 8MP Active Pixel<br>Progressive Scan, Back Illuminated Image sensor (STARVIS Series)                  |
| LENS                       |  |
| Minimum Illumination       | Color - 0.05 Lux @ F1.6 (AGC ON)<br>0 Lux with Warm Light  |
| Focal Length               | 2.8mm  |
| Focus Range                | 0.3m to infinity   |
| Field of View (FOV)        | HFOV – 106.9°<br>VFOV – 56.9°<br>DFOV – 127.9°   |
| Focus                      | Fixed focus  |
| Aperture (F#)              | F 1.6  |
| Iris Type                  | Fixed  |
| Type of Supplement LED     | Warm LED   |
| Supplement LED Range       | Up to 30m  |
| LED Switching              | Auto/ Manual   |
| DORI AS PER IEC 62676 - IV | D: 82 m, O: 32 m, R: 17m, I: 9 m   |
| HARDWARE SPECIFICATIONS    |  |
| Camera Adjustment Angle    | Pan: 0° to 360°<br>Tilt: 0° to 75°<br>Rotate: 0° to 360°   |
| IMAGE AND VIDEO            |  |
| No of Stream Profiles      | 4  |
| Stream Profiles            | 4k @30 FPS H.264, H.265<br>D1 @30 FPS H.264, H.265<br>3MP @10 FPS H.264, H.265, MJPEG<br>2MP @15 FPS H.264, H.265, MJPEG |
| Available Resolutions      | 3840 × 2160, 3200 x 1800, 2592 x 1944, 2592 x 1520, 2048 x 1536,<br>1920 x 1080, 720p, D1, 2CIF, VGA, CIF                |
| Max Resolution             | 3840 × 2160  |
| Bitrate                    | 128 kbps-8Mbps   |
| Bitrate Type               | CBR, VBR   |
| Video Compression          | H.265, H.264, MJPEG  |
| Frame Rate                 | 1-30fps  |
| Shutter Speed              | 1/15s -1/100000s   |
| Adaptive Streaming         | Yes  |
| ONVIF Profiles             | S, G & T   |

# SATATYA MITC80FL28CWS P2

8MP All Color Camera with 2.8mm Lens



|                                   |   |
|-----------------------------------|---|
| Edge Recording                    | Yes (Only in NAS)   |
| Alarm Recording                   | Pre and Post  |
| Motion Recording                  | Yes   |
| Video Parameters                  | Snapshot, Region of Interest (ROI), BLC, HLC, Day/Night Settings  |
| Privacy Masks                     | 8   |
| WDR                               | True WDR (120dB)  |
| SNR                               | >70dB   |
| Image Enhancement                 | Saturation/ Contrast/ Sharpness/Brightness/Auto Exposure/ HVS Forensic  |
| DNR                               | 2D &3D  |
| Video Analytics                   | Motion Detection, No Motion Detection, Tamper Detection, Trip/No Trip Detection, Object Intrusion/Zone Intrusion  |
| <b>ALERTS</b>                     |   |
| IP Conflict                       | Yes   |
| Network Disconnect                | Yes   |
| Storage Full                      | Yes   |
| Time Triggered                    | Yes   |
| <b>EVENTS AND ACTIONS</b>         |   |
| Upload Image                      | NAS, SFTP   |
| Upload Clip                       | NAS, SFTP   |
| Notifications                     | E-mail, SMS, TCP  |
| <b>PROTOCOLS SUPPORTED</b>        |   |
| Supported protocols               | TCP/IP, UDP, HTTP, HTTPS, DHCP, DNS, DynDNS, DDNS, RTP, RTCP, RTSP, PPPOE, SMTP, NTP, SNMP, FTP, TLS/SSL, SFTP, ICMP, IGMPv2 & v3, ARP, 802.1x, IPv4, IPv6, QoS Layer 3, DSCP, CIFS, SSH, UPnP, Bonjour |
| Web Viewer                        | Supported in IE 8.0-11.0, Firefox 15.0-47.0, Chrome 20.0-54.0   |
| Browser                           | IE, Chrome, Mozilla   |
| <b>CYBER SECURITY</b>             |   |
| Secure boot                       | Yes   |
| Signed firmware                   | Yes   |
| Data Encryption                   | All data, including sensitive data, is encrypted with AES 256 and RSA 2048  |
| IP Address Filtering              | Yes   |
| HTTPs Streaming                   | Yes, using TLS 1.2  |
| Edge Data Encryption              | Yes   |
| Network Authentication            | Yes, 802.1x Network authentication  |
| Secure Firmware Upgrade           | Yes   |
| Anti-roll back firmware           | Yes   |
| Web login Password Protection     | Yes   |
| Unused Debug Interface Protection | Yes   |

# SATATYA MITC80FL28CWS P2

8MP All Color Camera with 2.8mm Lens



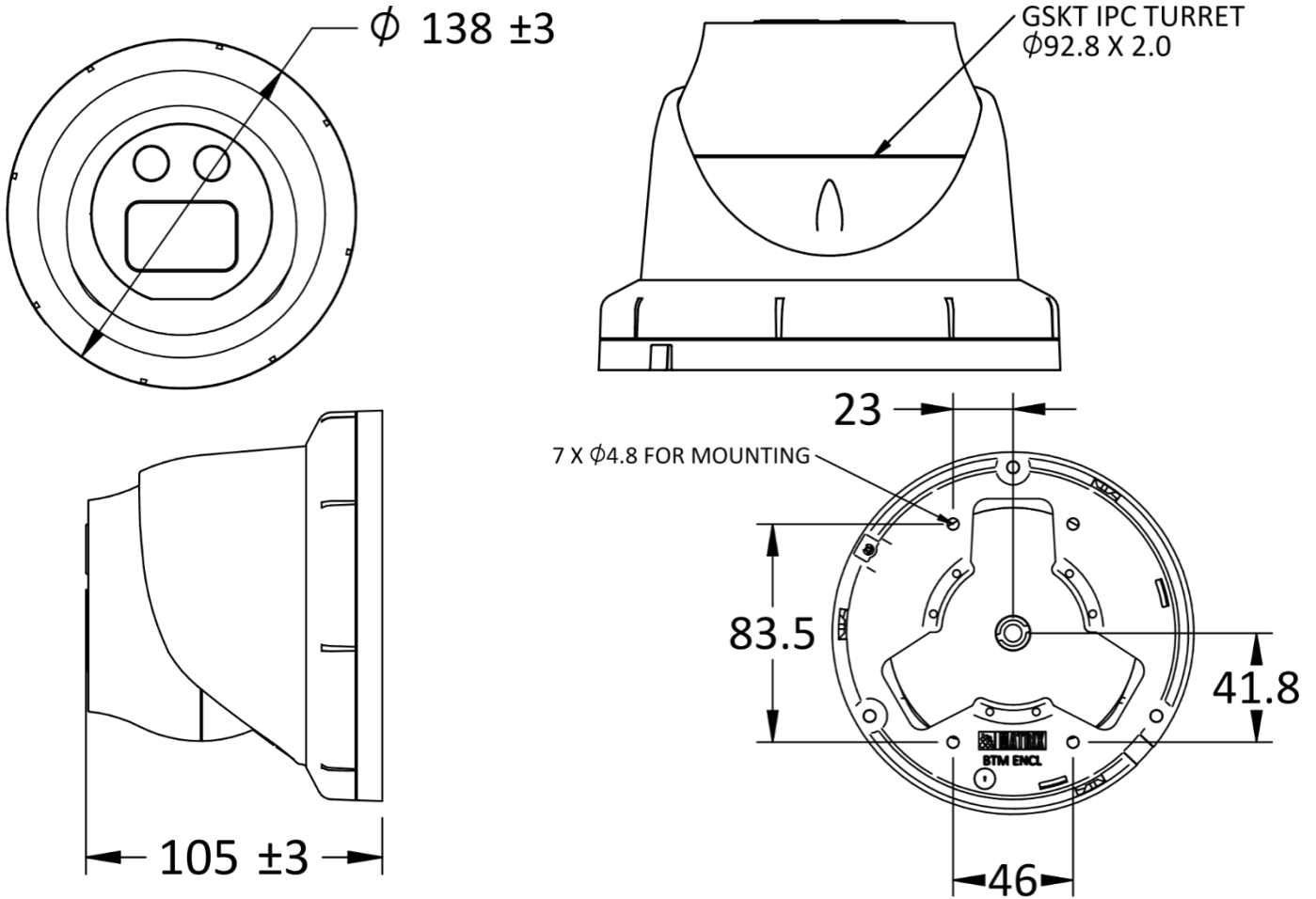
| OPERATING PARAMETERS    |   |
|-------------------------|---|
| Power Supply            | 802.3af (PoE)   |
| Power Consumption       | 9W  |
| Operating Humidity      | Less than 95% RH (non-condensing)                                 |
| Operating Temperature   | -30°C to 60°C   |
| PHYSICAL PARAMETERS     |   |
| Communication interface | 10Base-T/100BaseTX Ethernet (RJ-45)                               |
| Weight                  | 720g  |
| Color                   | Infinity White  |
| Dimensions              | 138.58mm x 118.97mm (Diameter x Height)                           |
| Certifications          | NDAA Compliant, CE, IP67, FCC Part-15 Subpart - B, ONVIF S, G & T |

*\*Specifications are subject to change without prior notification*

# SATATYA MITC80FL28CWS P2

8MP All Color Camera with 2.8mm Lens

## DIMENSIONS (in mm)



# SATATYA MITC80FL28CWS P2

## 8MP All Color Camera with 2.8mm Lens



### ABOUT MATRIX

Established in 1991, Matrix is a leader in security and telecom solutions for modern businesses and enterprises. Matrix, an innovative, technology driven and customer focused organization, is committed to keep pace with the revolutions in security and telecom industries. With more than 40% of its human resources dedicated to the development of new products, Matrix has launched cutting-edge products such as Unified Communications, IP-PBX, Universal Gateways, Convergence, VOIP Gateways, GSM Gateways, IP Video Surveillance, Access Control and Time-Attendance. These solutions are feature-rich, reliable and conform to the international standards. Having global footprints in Europe, North America, South America, Africa and Asia through an extensive network of more than 4000 channel partners, Matrix ensures that the products serve the needs of its customers faster and longer. Matrix has gained trust and admiration of customers representing the entire spectrum of industries. Matrix has won many national and international awards for its innovative products.



### MATRIX COMSEC

Head Office

394 – GIDC,

Makarpura, Vadodara

– 390 010, India.

Ph: +91 265 613 7222

Email: [Inquiry@MatrixComSec.com](mailto:Inquiry@MatrixComSec.com)

Factory

19 – GIDC, Waghodia,

Dist. Vadodara – 391 760, India.

Ph: +91 265 613 7222

### MATRIX COMSEC – North America

2 Wickstead

Crt,

Brampton,

Ontario – L6R 1N8.

Ph: (+1) 408-643-0581 (USA)

Ph: (+1) 437-266-1005 (Canada)

[www.MatrixComSec.com](http://www.MatrixComSec.com)