

# SATATYA MITR50FL28CWS P2

## 5MP IR Turret Camera with 2.8mm Lens



**SATATYA MITR50FL28CWS P2**  
5MP IR Turret Camera with 2.8mm Lens

Matrix introduces its new range of Turret series that are designed for modern enterprises. Turret Series cameras are a blend of aesthetics in a succinct design with superior video performance. Powered with Sony STARVIS sensor, they deliver crisp images in low-light conditions. With minimum glass exposure, issues like dust and fingerprints are eliminated. Likewise, these enterprise grade devices do not let you compromise on your resources due to the H.265 compression technique. Furthermore, the camera offers in-built video analytics like motion detection, intrusion detection, tamper detection, tripwire detection to aid you in proactively handling potential risks. Finally, backed by national and international certifications these devices guarantee maximum operating time without failure.

### USP



SONY STARVIS  
SENSOR



H.265  
COMPRESSION



IVA



HIGHER FIELD  
OF VIEW



SMART  
STREAMING



ADAPTIVE  
STREAMING



TRUE WDR



NAS

### CERTIFICATION



# SATATYA MITR50FL28CWS P2

5MP IR Turret Camera with 2.8mm Lens



## TECHNICAL SPECIFICATIONS

### IMAGE SENSOR

Resolution	5 MP (2592 x 1944)
Sensor Type and Size	1/2.8" SONY - CMOS 5MP Active Pixel Progressive Scan, Back Illuminated Image sensor (STARVIS Series)

### LENS

Minimum Illumination	Color - 0.01 Lux @ F1.2 (AGC ON) Monochrome - 0 Lux
Focal Length	2.8mm
Focus Range	0.3m to infinity
Field of View (FOV)	HFOV – 107° VFOV – 57° DFOV – 128°
Focus	Fixed focus
Aperture (F#)	F 1.6/F2.0
Iris Type	Fixed
IR Range	Up to 30m
IR Led Wavelength	850nm
IR Switching	Auto/ Manual
DORI AS PER IEC 62676 - IV	D: 67 m, O: 26 m, R: 13m, I: 7 m

### HARDWARE SPECIFICATIONS

Camera Adjustment Angle	Pan: 0° to 360° Tilt: 0° to 75° Rotate: 0° to 360°
-------------------------	--

### IMAGE AND VIDEO

No of Stream Profiles	4
Stream Profiles	Profile 1: 2592 x 1944 @30fps (H.264/H.265) Profile 2: D1 @30fps (H.265/H.264) Profile 3: 2048x1536 @8fps (MJPEG) or D1/VGA@15fps(H.264/H.265) Profile 4: 1920 x 1080 @30fps (H.265/ H.264/ MJPEG)
Available Resolutions	2592 x 1944 (5MP), 4MP, 3MP, 2MP, 720p, D1, VGA, 2CIF, CIF
Max Resolution	2592 x 1944
Bitrate	128 kbps-16Mbps
Bitrate Type	CBR, VBR
Video Compression	H.265, H.264, MJPEG
Frame Rate	1-30fps
Shutter Speed	1/15s -1/100000s
Adaptive Streaming	Yes
ONVIF Profiles	S, G & T
Edge Recording	Yes (Only in NAS)

# SATATYA MITR50FL28CWS P2

## 5MP IR Turret Camera with 2.8mm Lens



Alarm Recording	Pre and Post
Motion Recording	Yes
Video Parameters	Snapshot, Region of Interest (ROI), BLC, HLC, Day/Night Settings
Privacy Masks	8
WDR	True WDR (120dB)
SNR	>70dB
Image Enhancement	Saturation/ Contrast/ Sharpness/Brightness/Auto Exposure/ HVS Forensic
DNR	2D &3D
Video Analytics	Motion Detection, No Motion Detection, Tamper Detection, Trip/No Trip Detection, Object Intrusion/Zone Intrusion
<b>ALERTS</b>	
IP Conflict	Yes
Network Disconnect	Yes
Storage Full	Yes
Time Triggered	Yes
<b>EVENTS AND ACTIONS</b>	
Upload Image	NAS, SFTP
Upload Clip	NAS, SFTP
Notifications	E-mail, SMS, TCP
<b>PROTOCOLS SUPPORTED</b>	
Supported protocols	TCP/IP, UDP, HTTP, HTTPS, DHCP, DNS, DynDNS, DDNS, RTP, RTCP, RTSP, PPPOE, SMTP, NTP, SNMP, FTP, TLS/SSL, SFTP, ICMP, IGMPv2 & v3, ARP, 802.1x, IPv4, IPv6, QoS Layer 3, DSCP, CIFS, SSH, UPnP, Bonjour
Web Viewer	Supported in IE 8.0-11.0, Firefox 15.0-47.0, Chrome 20.0-54.0
Browser	IE, Chrome, Mozilla
<b>CYBER SECURITY as per ISO/IEC 27402</b>	
Secure boot	Yes
Signed firmware	Yes
Data Encryption	All data, including sensitive data, is encrypted with AES 256 and RSA 2048
IP Address Filtering	Yes
HTTPs Streaming	Yes, using TLS 1.2
Edge Data Encryption	Yes
Network Authentication	Yes, 802.1x Network authentication
Secure Firmware Upgrade	Yes
Anti-roll back firmware	Yes
Web login Password Protection	Yes
Unused Debug Interface Protection	Yes

# SATATYA MITR50FL28CWS P2

5MP IR Turret Camera with 2.8mm Lens



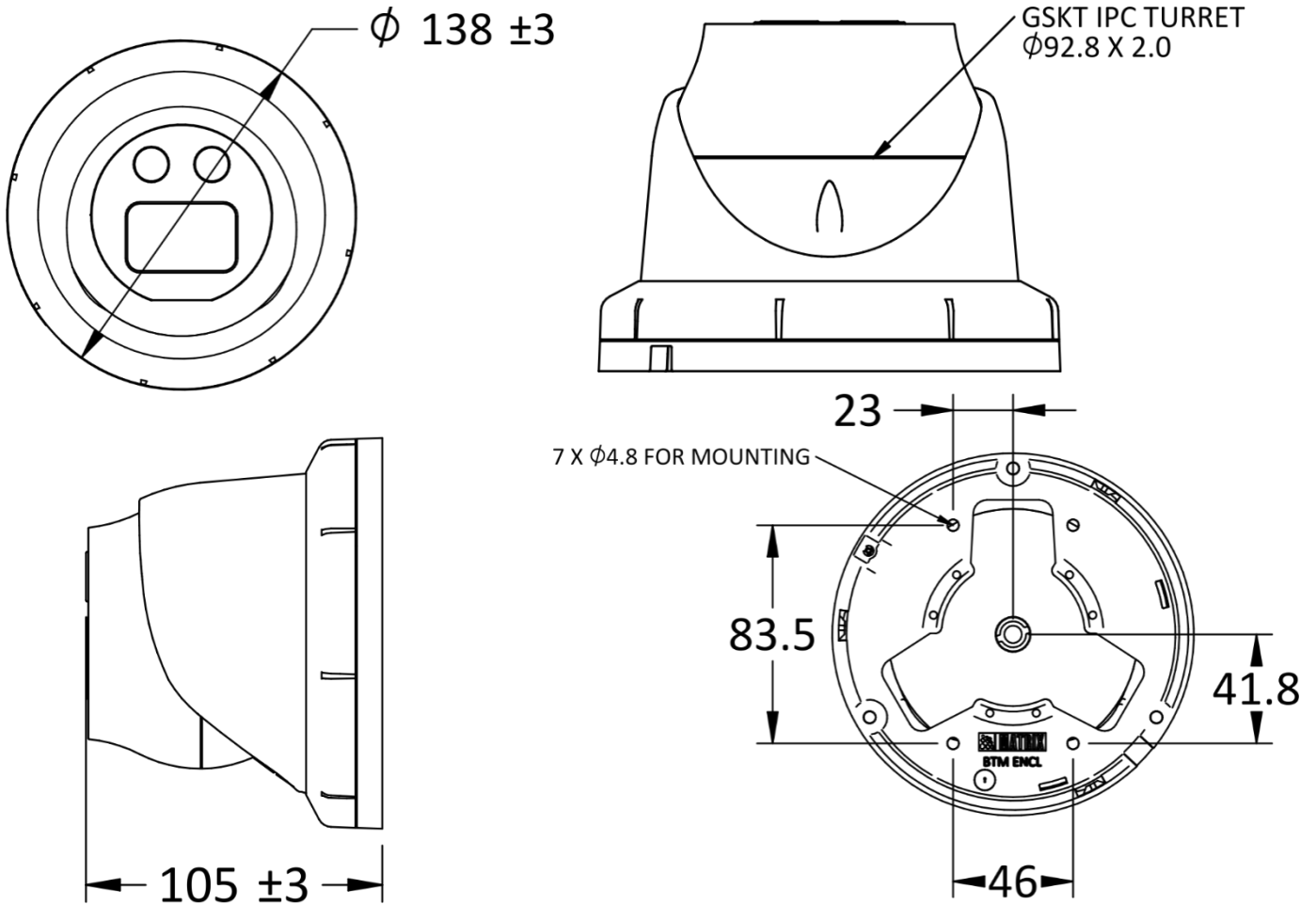
OPERATING PARAMETERS	
Power Supply	802.3af (PoE)
Power Consumption	Maximum 7.5W
Operating Humidity	Less than 95% RH (non-condensing)
Operating Temperature	-30°C to 60°C
PHYSICAL PARAMETERS	
Communication interface	10Base-T/100BaseTX Ethernet (RJ-45)
Weight	720g
Color	Infinity White
Dimensions	138.58mm x 118.97mm (Diameter x Height)
Certifications	BIS, CE, IP67, FCC Part-15 Subpart - B, ONVIF S,G,&T, NDAA Compliant, Essential Requirement (ER) by STQC, Delhi

*\*Specifications are subject to change without prior notice\**

# SATATYA MITR50FL28CWS P2

5MP IR Turret Camera with 2.8mm Lens

## DIMENSIONS (in mm)



# SATATYA MITR50FL28CWS P2

## 5MP IR Turret Camera with 2.8mm Lens



### ABOUT MATRIX

Established in 1991, Matrix is a leader in security and telecom solutions for modern businesses and enterprises. Matrix, an innovative, technology driven and customer focused organization, is committed to keep pace with the revolutions in security and telecom industries. With more than 40% of its human resources dedicated to the development of new products, Matrix has launched cutting-edge products such as Unified Communications, IP-PBX, Universal Gateways, Convergence, VOIP Gateways, GSM Gateways, IP Video Surveillance, Access Control and Time-Attendance. These solutions are feature-rich, reliable and conform to the international standards. Having global footprints in Europe, North America, South America, Africa and Asia through an extensive network of more than 4000 channel partners, Matrix ensures that the products serve the needs of its customers faster and longer. Matrix has gained trust and admiration of customers representing the entire spectrum of industries. Matrix has won many national and international awards for its innovative products.



### MATRIX COMSEC

Head Office

394 – GIDC,

Makarpura, Vadodara

– 390 010, India.

Ph: +91 265 613 7222

Email: [Inquiry@MatrixComSec.com](mailto:Inquiry@MatrixComSec.com)

Factory

19 – GIDC, Waghodia,

Dist. Vadodara – 391 760, India.

Ph: +91 265 613 7222

### MATRIX COMSEC – North America

2 Wickstead

Crt,

Brampton,

Ontario – L6R 1N8.

Ph: (+1) 408-643-0581 (USA)

Ph: (+1) 437-266-1005 (Canada)

[www.MatrixComSec.com](http://www.MatrixComSec.com)